



PARTS



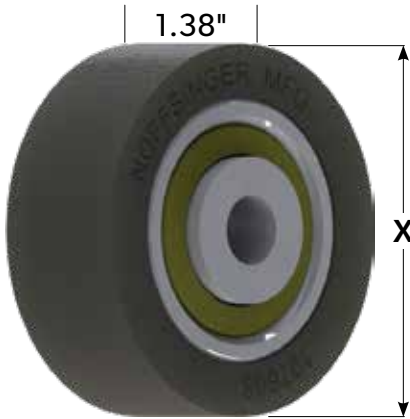
A full line of drive sprockets, friction drive rollers, shakers, flails, and rollers of all types (steel, urethane, and rubber) are available for use with Noffsinger Belt Chain and Hook Chain conveyors. These products are constructed from many types of materials for various conditions and applications.

URETHANE ROLLERS



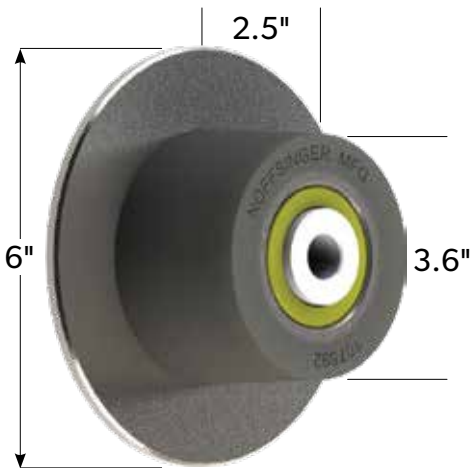
- 3.5" UR/STL 107598
H.T. Steel 107528
- 4" UR/STL 107599

URETHANE IDLERS

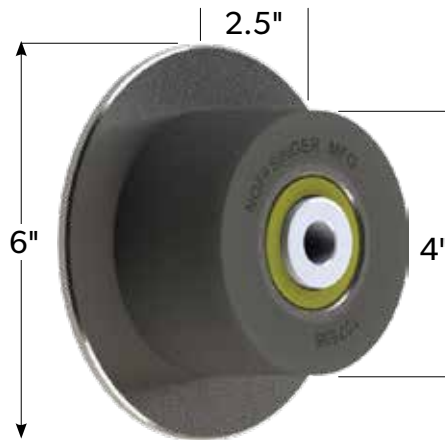


- UR/STL
- 3.5" - 107608
- 4.0" - 107613
- 5.0" - 107614

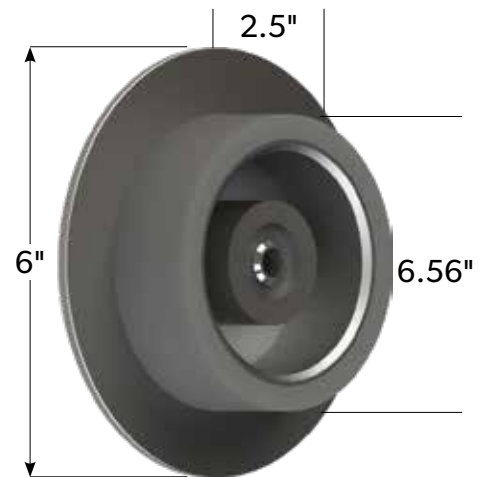
FLANGE ROLLERS



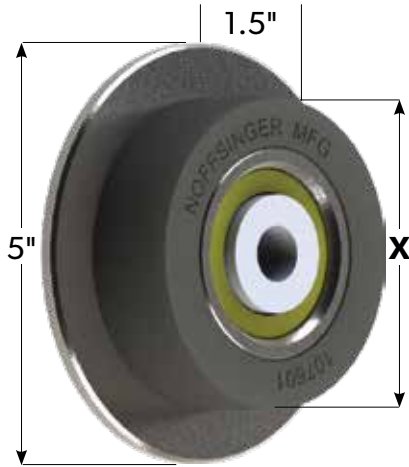
H.T. STEEL 107592
URETHANE



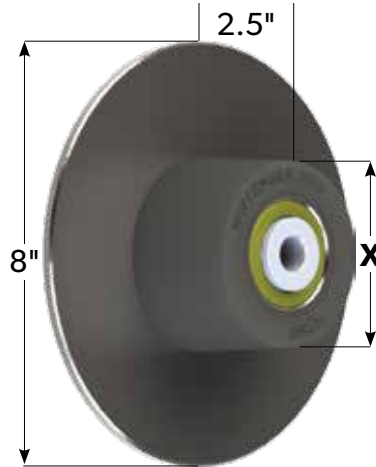
H.T. STEEL 107595
URETHANE



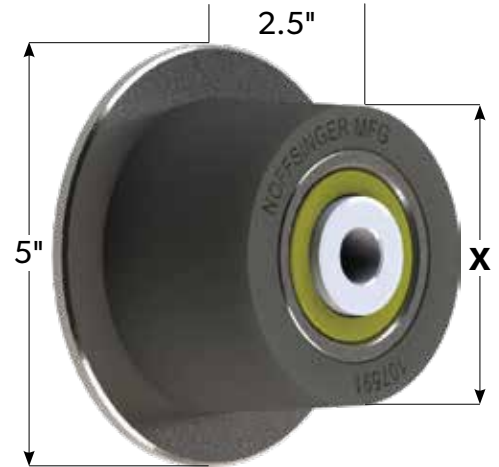
ST 107620



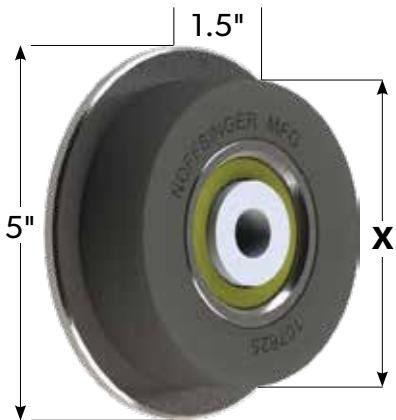
3.5" UR/STL 107601
H.T STEEL 107562



3.5" UR/STL 107593
4.0" UR/STL 107596
5.0" UR/STL 107597

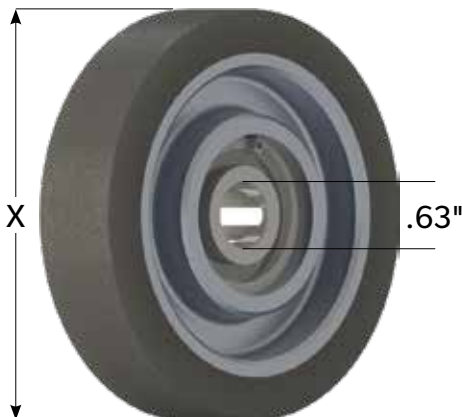


3.5" UR/STL 107591
4" UR/STL 107594



4" UR/STL 107625

URETHANE IDLERS



Idler Rollers Only

Part Number	Diameter	Width	Bolt Size
107695	2.75"	1.5"	5/8"
107702	4"	1"	1/2"
107667	4"	1"	5/8"
107703	5"	1"	1/2"
107668	5"	1"	5/8"
107716	6"	1"	1/2"
107669	6"	1"	5/8"



Idler Rollers Assemblies

(includes roller, standoff, bolt, nut and lock washer)

Part Number	Diameter	Width	Bolt Size
107698	4"	1"	1/2"
107700	4"	1"	5/8"
107669	5"	1"	1/2"
107701	5"	1"	5/8"
107717	6"	1"	1/2"
107718	6"	1"	5/8"

Standoffs

Length	.50 Bore	.62 Bore
0.5"	109275	107156
0.75"	109277	107135
1.5"	109283	107240
1.75"	109228	107241
2"	109287	109291

RUBBER OR SOLID URETHANE



Idler Roller Only

Part Number	Diameter	Description	Bore Size
103877	3.25"	Rubber	3/4"
112652	4"	Urethane	1"
103876	4"	Rubber	1"
112653	5"	Urethane	1"
103875	5"	Rubber	1"

Idler Rollers Assemblies

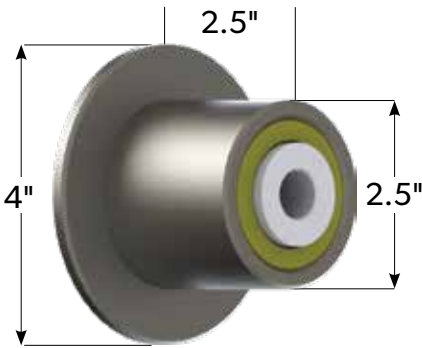
(includes roller, standoff, bolt, nut and lock washer)

Part Number	Diameter	Description	Bolt Size
103871	3.25"	Rubber	3/8"
113044	4"	Urethane	1/2"
103870	4"	Rubber	1/2"
113045	5"	Urethane	1/2"
103848	5"	Rubber	1/2"

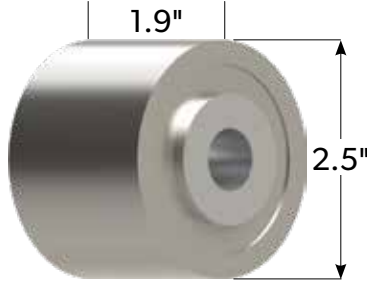
Standoffs

Standoff	.50 Bore	.62 Bore
1.25"	112482	111434
1.75"	111432	111433

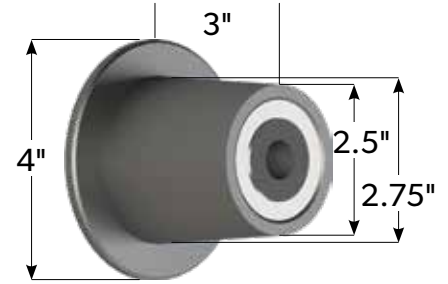
HEAT TREATED STEEL ROLLERS



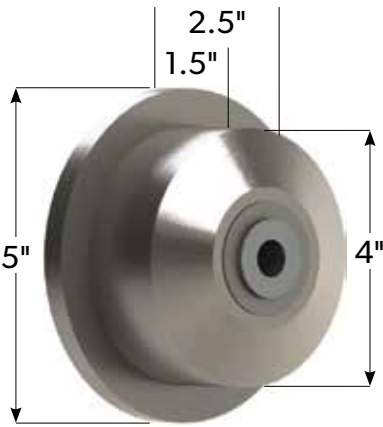
H.T. STEEL 107629



H.T. STEEL 107611



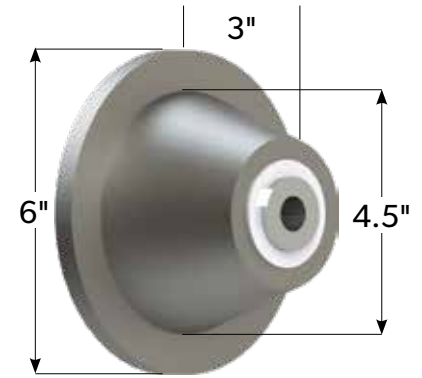
H.T. STEEL 107628



H.T. STEEL 107637



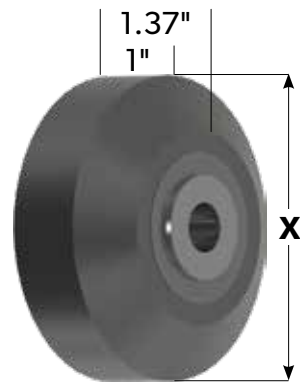
H.T. STEEL 107638



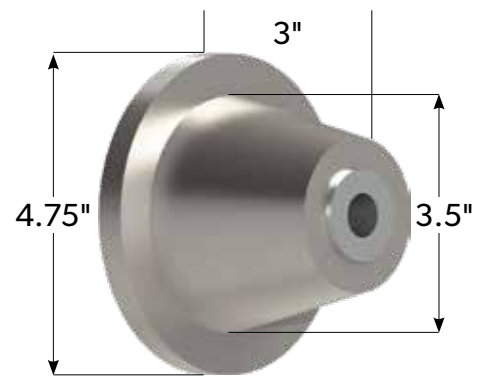
H.T. STEEL 107636



H.T. STEEL
ROLLER ONLY 107604
STANDOFF ONLY 109483
ASSEMBLY (AS PICTURED) 107724



H.T. STEEL
4.0" - 107609
5.0" - 107610
6.0" - 107632



H.T. STEEL 107615

HEAT TREATED STEEL ROLLERS



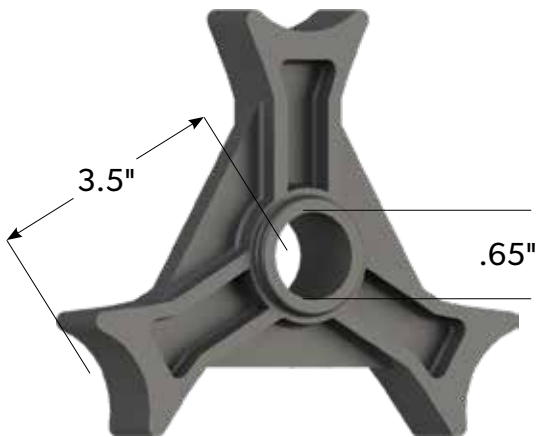
H.T. STEEL 107618

URETHANE SHAKERS



103878 - RUBBER
112662 - URETHANE

STEEL SHAKERS



800010



800012 - 1/2" BORE
800013 - 5/8" BORE



800008

HEX, RIB, & CLOD

Complete part number list on pages 35.



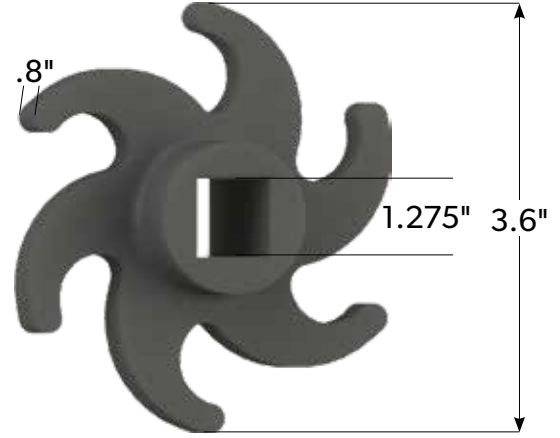
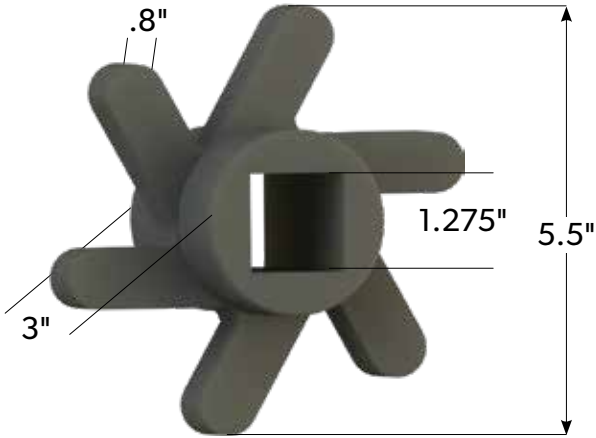
111467



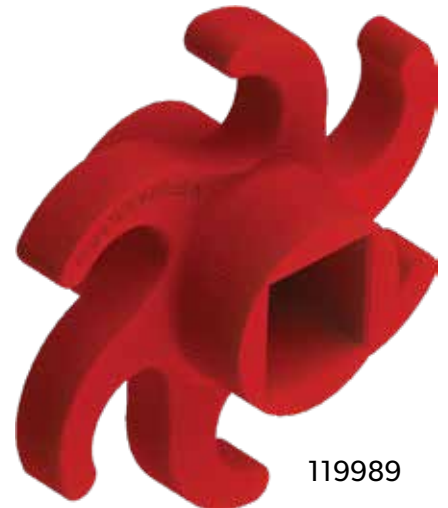
111059

RUBBER STAR ROLLERS

Complete part number list on page 37. Available in Rubber & Red Urethane

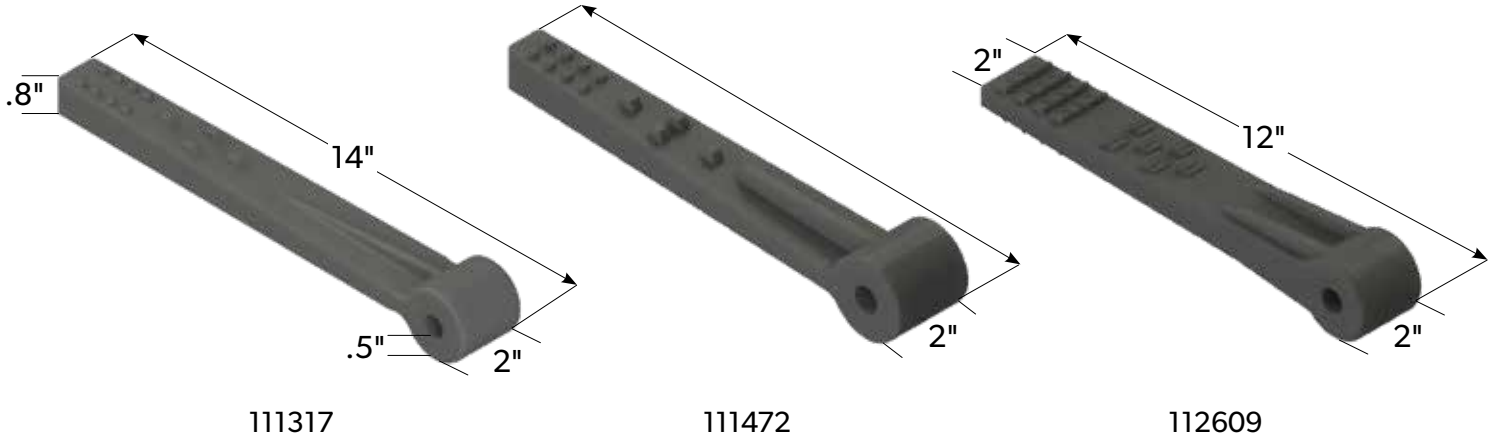


URETHANE STAR ROLLERS

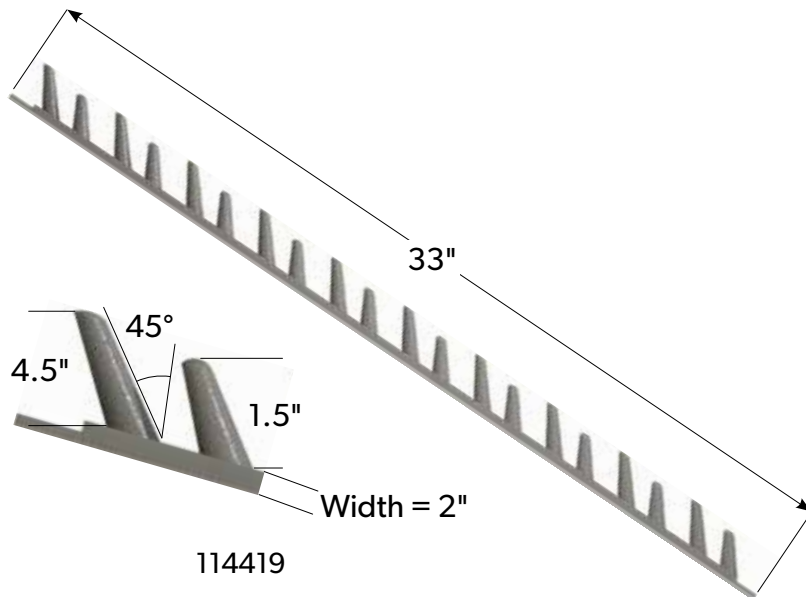


FLAILS

Complete part number list on page 36.



FINGER GUARD





HOOK CHAIN SPROCKET



BELTED CHAIN SPROCKET



HIGH PROFILE



HYBRID SPROCKET

Noffsinger hook and belt chain steel sprockets are made from the highest grade cast iron with the maximum amount of chrome added for extended life. Steel cut and urethane sprockets are also available. Noffsinger has special patterns made exclusively for every sprocket. They are precision designed to exactly match the chain pitch and sprocket run requirements. With Noffsinger's sprockets, there's no loose or sloppy fit because the pattern has been properly engineered. There are a variety of style, with pitches and number of teeth to fit any type of machinery.

SPROCKET DIMENSIONS

Belt Chain Sprockets	Diameter	Hook Chain Sprockets	Diameter	Hook Chain Sprockets	Diameter
14T28MM	5-3/4"	14T100	4-7/8"	8T175	5-1/2"
18T28MM	7-3/4"	16T100	5-1/2"	9T175	6-1/4"
22T28MM	8-1/2"	18T100	6-1/4"	10T175	7"
		24T100	8-1/4"	12T175	8-1/8"
12T32MM	6"			14T175	9-1/2"
16T32MM	8"	12T902	5-1/4"		
18T32MM	8-1/2"			8T188	5-3/4"
		12T116(32)	5"	10T188	7-3/16"
10T36MM	5-3/4"	14T116(32)	5-7/8"	12T188	8-3/4"
12T36MM	6-1/2"	16T116(32)	6-1/2"	14T188	9-7/8"
14T36MM	7-3/4"	18T116(32)	7-3/8"		
16T36MM	8-1/2"	20T116(32)	8-1/4"	7T200	5-1/4"
				8T200	6-5/8"
10T40MM	6"	10T125	4-1/2"	9T200	6-3/4"
12T40MM	7-3/8"	11T125	5"	10T200	7-1/2"
14T40MM	8-1/2"	12T125	5-3/8"	12T200	9"
		14T125	6-3/16"		
10T42MM	6-1/2"	16T125	6-15/16"	8T225	7"
12T42MM	8"	18T125	8"	10T225	8-7/8"
14T42MM	8-7/8"	20T125	8-7/8"		
				8T237	7-3/4"
8T45MM	5-3/4"	10T1375(42)	5-3/16"	12T237	10-1/2"
9T45MM	6-5/16"	12T1375(42)	5-7/8"		
10T45MM	7-1/8"	14T1375(42)	7"	8T250	7-3/4"
12T45MM	8-1/8"	16T1375(42)	7-3/4"	10T250	9-1/2"
14T45MM	9"				
		9T156	5-1/4"	6T506	11-3/4"
8T50MM	6-3/4"	10T156	6"	5T600	11-3/4"
10T50MM	8"	12T156	7-3/16"		
12T50MM	9-3/8"	14T156	8-3/8"		
14T50MM (5/8 rode exclude)	10-3/4"	16T156	9"		
		18T156	9"		
		18T156	10"		
5T150MM	11-3/8"				
6T126MM	11"				
6T135MM	12"				
7T150MM	14-3/4"				
8T56MM	6-3/4"				
10T56MM	8-7/8"				

PART# DESCRIPTION

IDLER ROLLERS

112231	ROLLER, IDLER 400D 088RD 100W
103876	ROLLER, IDLER 400D 100RD 100W
103875	ROLLER, IDLER 500D 100RD 100W
111452	ROLLER, IDLER 500D 125SQ 275W
111453	ROLLER, IDLER 500D 150SQ 275W



RIB ROLLERS

111045	ROLLER, RIB 14X300 100RD 55D
111054	ROLLER, RIB 14X300 125RD 55D
111059	ROLLER, RIB 14X300 125SQ 55D
111351	ROLLER, RIB 16X300 100RD 45D
111349	ROLLER, RIB 16X300 125SQ 45D



CLOD ROLLER

111362	ROLLER, CLOD 3" SMOOTH, LKD
111464	ROLLER, CLOD 3" SMOOTH, ART
111363	ROLLER, CLOD 3-1/2" SMOOTH, LKD
111465	ROLLER, CLOD 3-1/2" SMOOTH, ART
111364	ROLLER, CLOD 4" SMOOTH, LKD
111466	ROLLER, CLOD 4" SMOOTH, ART
111365	ROLLER, CLOD 5" SPIRAL, LKD
111467	ROLLER, CLOD 5" SPIRAL, ART
111366	ROLLER, CLOD 10" SPIRAL, LKD
111780	ROLLER, CLOD 10" SPIRAL, ART



HEX OR SHAFT DRIVE

111357	ROLLER, CLOD 3" SMOOTH, Hex
111354	ROLLER, CLOD 3" SMOOTH, ST
111358	ROLLER, CLOD 3-1/2" SMOOTH, Hex
111355	ROLLER, CLOD 3-1/2" SMOOTH, ST
111359	ROLLER, CLOD 4" SMOOTH, Hex
111356	ROLLER, CLOD 4" SMOOTH, ST
111360	ROLLER, CLOD 5" SPIRAL, Hex
111352	ROLLER, CLOD 5" SPIRAL, ST

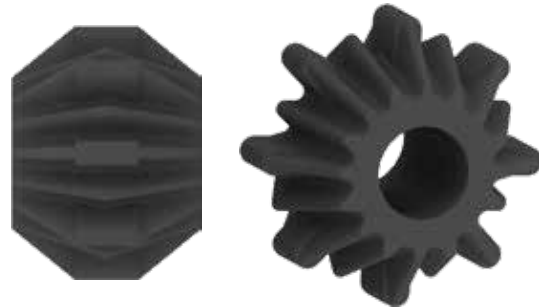


**Most rubber molded parts are available in red urethane. Please inquire with sales for details.*

PART# DESCRIPTION

ACORN ROLLERS

111007	ACORN, FULL 100RD 45D
111009	ACORN, FULL 125RD 45D
111013	ACORN, FULL 125SQ 45D
111015	ACORN, HALF 100RD 45D
111005	ACORN, HALF 125RD 45D
111017	ACORN, HALF 125SQ 45D



FLAILS

111472	FLAIL, RUBBER 12 TAPERED 062B 75D
111317	FLAIL, RUBBER 14 TAPERED 062B 75D
112609	FLAIL, RUBBER 12 STRAIGHT 062B 75D



FINGER ROLLER

111118	ROLLER, FINGER 550D 275L 125B 6PT 45D
111123	ROLLER, FINGER 550D 275L 150B 6PT 45D
111120	ROLLER, FINGER 550D 300L 125B 6PT 45D
111126	ROLLER, FINGER 550D 300L 150B 6PT 45D
111121	ROLLER, FINGER 550D 350L 125B 6PT 45D
111127	ROLLER, FINGER 550D 350L 150B 6PT 45D



ELIMINATOR STAR ROLLERS

112327	ROLLER, STAR 525D 125L 125B 10PT 45D
112328	ROLLER, STAR 525D 125L 150B 10PT 45D
112313	ROLLER, STAR 625D 125L 125B 6PT 55D
112314	ROLLER, STAR 625D 125L 125B 6PT 70D
112315	ROLLER, STAR 625D 125L 150B 6PT 55D
112316	ROLLER, STAR 625D 125L 150B 6PT 70D
112274	ROLLER, STAR 650D 125L 125B 14PT 55D
112276	ROLLER, STAR 650D 125L 125B 14PT 70D
112275	ROLLER, STAR 650D 125L 150B 14PT 55D
112277	ROLLER, STAR 650D 125L 150B 14PT 70D
116789	ROLLER, STAR 700D 275L 125B 5PT 45D



SPACERS FOR STAR ROLLERS

111341	SPACER, RUBBER 225D 025L 125B
111342	SPACER, RUBBER 225D 038L 125B
111343	SPACER, RUBBER 225D 044L 125B
111344	SPACER, RUBBER 225D 062L 125B



BUSHING

103761	1/2" Bore x 1-1/4" Long x 5/8" OD
103762	1/2" Bore x 3/4" Long x 5/8" OD



*Most rubber molded parts are available in red urethane. Please inquire with sales for details.

PART# DESCRIPTION

STAR ROLLERS

111132	ROLLER, STAR 525D 275L 125B 5PT 45D
111335	ROLLER, STAR 625D 125L 125B 6PT 55D
111336	ROLLER, STAR 625D 125L 125B 6PT 70D
111331	ROLLER, STAR 625D 125L 125B 12PT 55D
111332	ROLLER, STAR 650D 125L 125B 12PT 55D
111333	ROLLER, STAR 650D 125L 125B 12PT 70D
111334	ROLLER, STAR 650D 125L 125B 12PT 70D
111134	ROLLER, STAR 650D 275L 125B 6PT 45D
111312	ROLLER, STAR 650D 300L 125B 6PT 55D



URETHANE FINGER ROLLERS

119153	ROLLER, STAR 625D 125L 125B 6PT 65D RED URETHANE
119189	ROLLER, STAR 625D 125L 150B 6PT 65D RED URETHANE
119986	ROLLER, STAR 650D 125L 125B 14PT 65D RED URETHANE
119987	ROLLER, STAR 650D 125L 150B 14PT 65D RED URETHANE
119988	ROLLER, STAR 650D 300L 125B 6PT 65D RED URETHANE
119989	ROLLER, STAR 650D 300L 150B 6PT 65D RED URETHANE



SPACERS FOR ELIMINATOR ROLLERS

112353	SPACER, RUBBER 250D 025L 125B
112354	SPACER, RUBBER 250D 025L 150B
111315	SPACER, RUBBER 250D 050L 125B
112355	SPACER, RUBBER 250D 050L 150B
112356	SPACER, RUBBER 250D 062L 125B
112357	SPACER, RUBBER 250D 062L 150B
111340	SPACER, RUBBER 250D 075L 125B
112358	SPACER, RUBBER 250D 075L 150B
111338	SPACER, RUBBER 250D 150L 125B
111337	SPACER, RUBBER 250D 150L 150B



MISC

111397	FLAIL, RUBBER 4PT CLEANING
103878	SHAKER 3PT 75D
103879	ROLLER, CONE 75D



**Most rubber molded parts are available in red urethane. Please inquire with sales for details.*