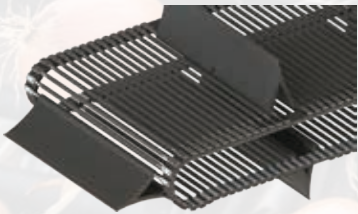




# NOFFSINGER MANUFACTURING

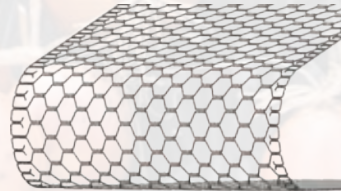
PRODUCT  
CATALOG



**BELTED CHAIN**



**HOOK CHAIN**



**WIRE BELT**



**PARTS**

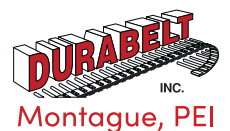
📞 800.525.8922

🌐 [Noffsingermfg.com](http://Noffsingermfg.com)



USA:  
Greeley, CO  
Filer, ID  
Menahga, MN

CANADA:





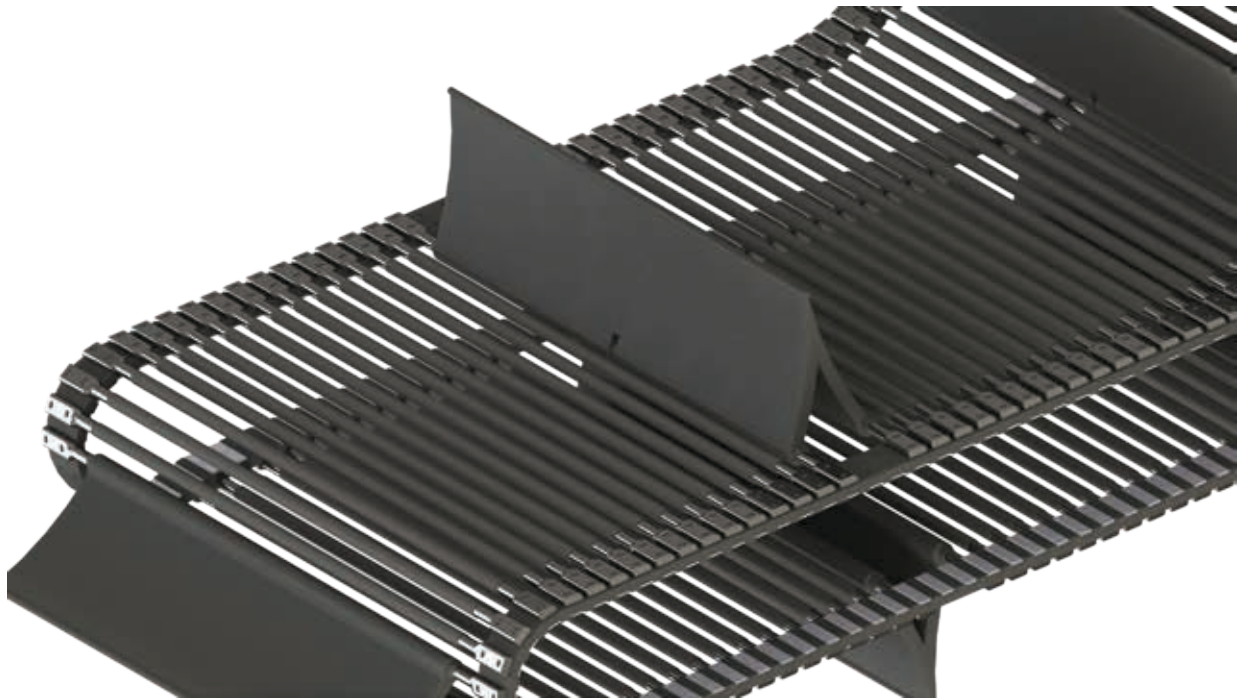
# THE HISTORY OF NOFFSINGER MANUFACTURING, INC.

- 1924** Fred Noffsinger forged his first hook chain link at the Thompson Potato Grader Company in Greeley, Colorado.
- 1927** Fred Noffsinger became a partner in the company and the name changed to Thompson-Noffsinger Manufacturing Company. His son Robert Noffsinger Sr. joined the company, working in the factory. Early on the company designed and built the first potato graders, diggers and related products. These machines represented a technological leap forward as the first automated equipment used in the potato industry. Many patents were issued for these innovations which greatly improved productivity.
- 1930** Fred Noffsinger became the sole owner and formed NLN Manufacturing Company. After surviving the Great Depression, the company began development of more new types of harvesting and processing equipment. This began with the "Farmers Special" which was the first powered potato grader. This design was followed by the first electric powered "Greeley 3-way Potato Grader" as well as other tractor drawn PTO powered designs.
- 1930-1950** The company began to specialize in hook chain and grading belt production for its own equipment. Through these years NLN became known for their quality chain and grading belts, producing for other OEM equipment manufacturers.
- 1956** The company decided to drop production of farm equipment and specialize in hook chain and grading belts (wire belt) along with other related conveyance products.
- 1959** The company is incorporated as Noffsinger Manufacturing Co. Inc.
- 1978** Belted chain was introduced into our product offering.
- 1994** Rollers were introduced into our product offering.
- 1996** The production plant located in Montague, Prince Edward Island Canada was acquired and began production as part of the Noffsinger companies under the brand Durabelt.
- 1999** The production plant located in Menahga, MN was acquired and began production. As a rubber molding facility, this facility still produces many of our rubber molded parts as well as belted chain.
- 2005** The production plant located in Filer, ID was acquired and continued production as part of Noffsinger Manufacturing Company, producing belted chain and hook chain.
- 2005-Present** Many advancements in production and investments in automation were made throughout the organization. Many new products have also been introduced over this time with a focus on specialty crops, urethane parts and other agricultural related products. Today, under the direction of the family of Robert Noffsinger Sr. as well as the leadership of Robert (Bob) Noffsinger Jr. (President) and Dean Herl (CEO), we continue to operate from our original headquarters located in Greeley, Colorado. With our many years of experience in the industry and a dedication to bringing top value and innovative solutions to our industry, we continue to build trusted relationships with our customers and partners around the world.

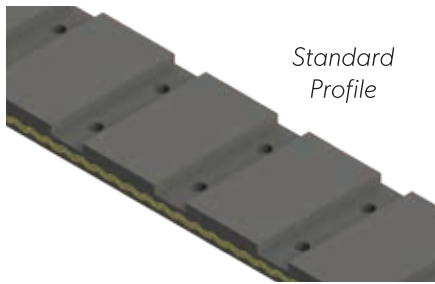




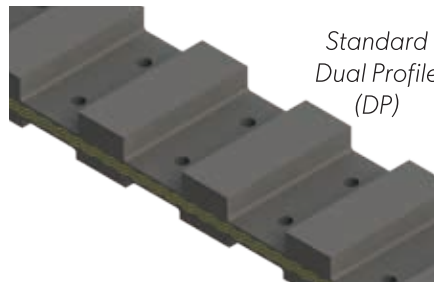
# BELTED CHAIN



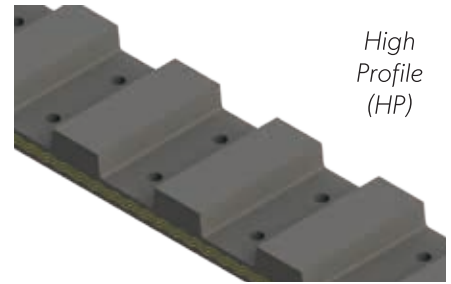
In 1978, belted chain was introduced into the Noffsinger production line. Our belted chain and components have a wide range of applications, including agricultural harvesters (potato, tomato, carrot, onion, sugar beet, etc.), crop sizers, grading and sorting lines, rock pickers/separators, as well as in continuous operation processing plants.



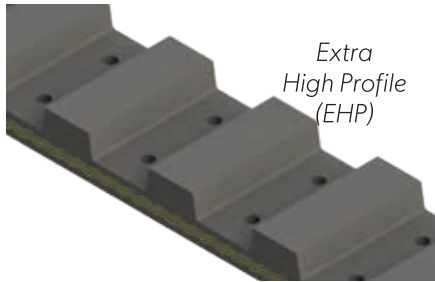
Standard Profile



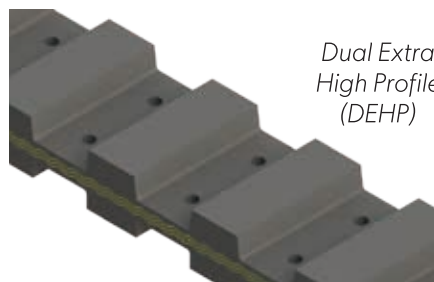
Standard Dual Profile (DP)



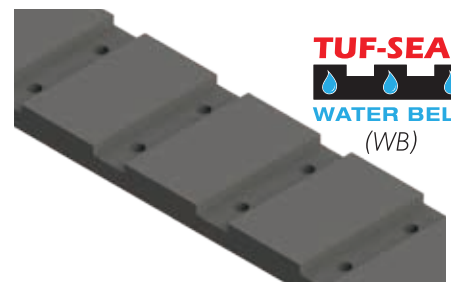
High Profile (HP)



Extra High Profile (EHP)

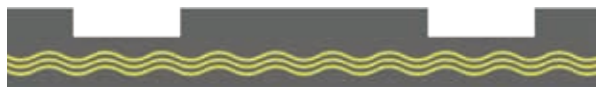


Dual Extra High Profile (DEHP)



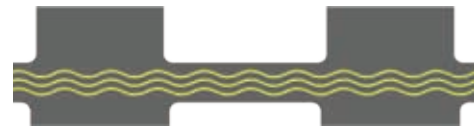
**TUF-SEAL**  
WATER BELT (WB)

Noffsinger belting is manufactured to strict tolerance for use in belted chain. Common pitches include (mm) 28, 32, 36, 40, 42, 45, 50, 56, 60, 64, 150, 180. Additional profiles & pitches are available on request.



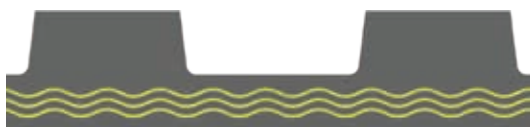
## STANDARD PROFILE

Our most common belting option, Standard belting is typically driven on the rods of the web.



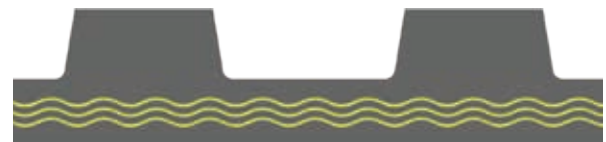
## STANDARD DUAL PROFILE (DP)

Similar to Standard Profile, Standard Dual Profile allows the rods to recess into the belting for added bruise protection.



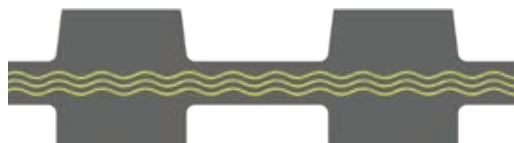
## HIGH PROFILE (HP)

High Profile belting allows for driving directly on the belting profile.



## EXTRA HIGH PROFILE (EHP)

Same as High Profile, Extra High Profile provides additional contact area for driving the belt.



## DUAL EXTRA HIGH PROFILE (DEHP)

Driven like High Profile, DEHP can be driven by the belt while also providing bruise protection like Dual Profile.

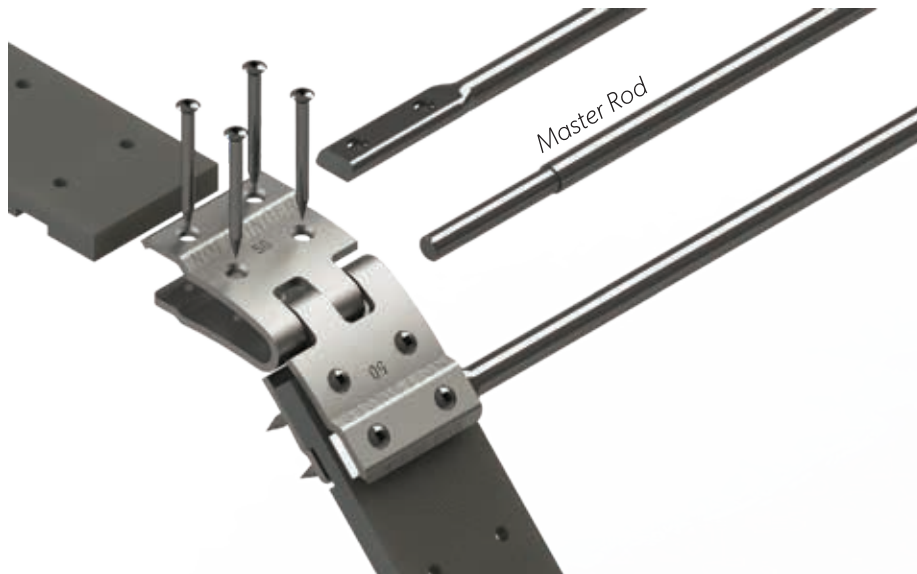


## TUF-SEAL WATER BELT (WB)

Standard Profile belting with fully encapsulated 1200N fabric weave, specially designed for high moisture and submerged applications.

*Standard Profile belting traditionally comes with 900N fabric weave, we also provide it with 1200N fabric for additional tensile strength and increased tear out protection.*

## THREADED JOINT CLIPS



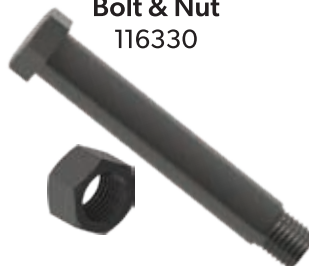
Master Rod



Master Pin  
109261



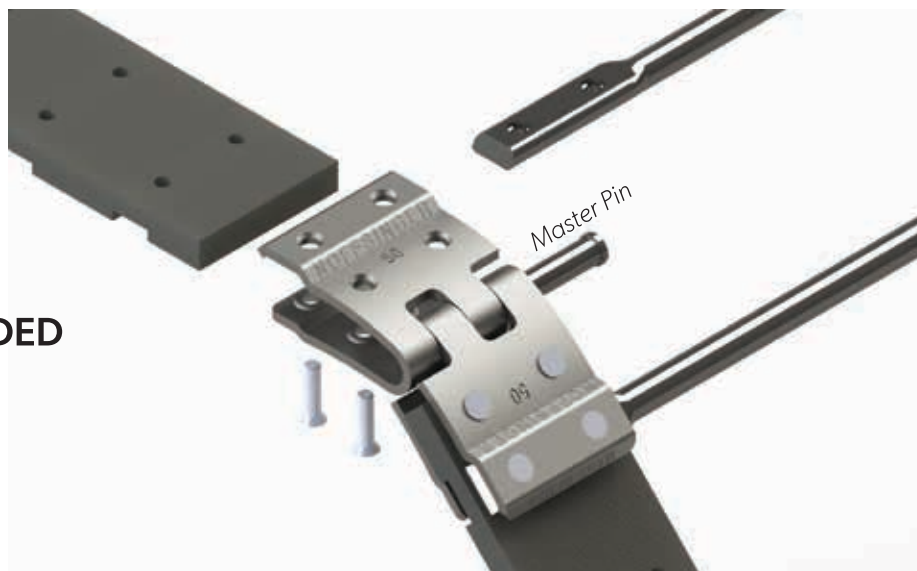
Bolt & Nut  
116330



Flex Link  
(Dog Bone)

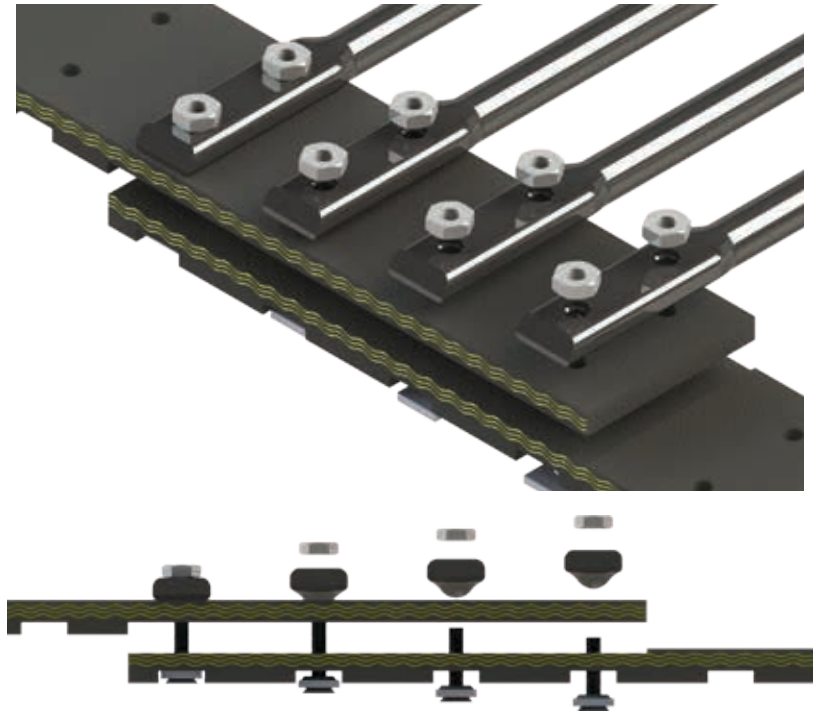


## NON-THREADED (RIVETED) JOINT CLIPS



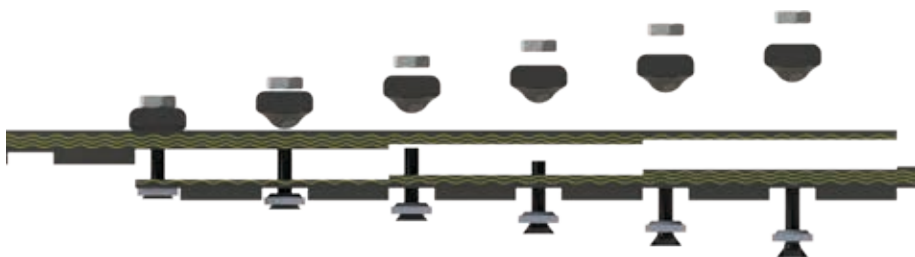
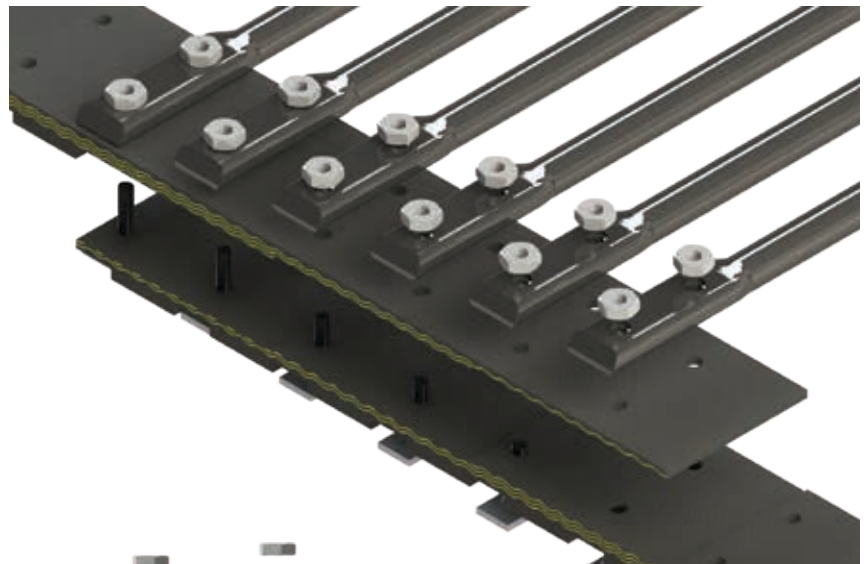
## LAP JOINT

Lap joints are available in 2, 3 and 4 pitch configurations. Lap joints are considered one of the more economical joining methods, providing high strength while maintaining most of the belt's flexibility. Rods can be threaded, or fastened by backing plate with a nut and bolt. Lap joints are typically used with larger diameter sprockets.

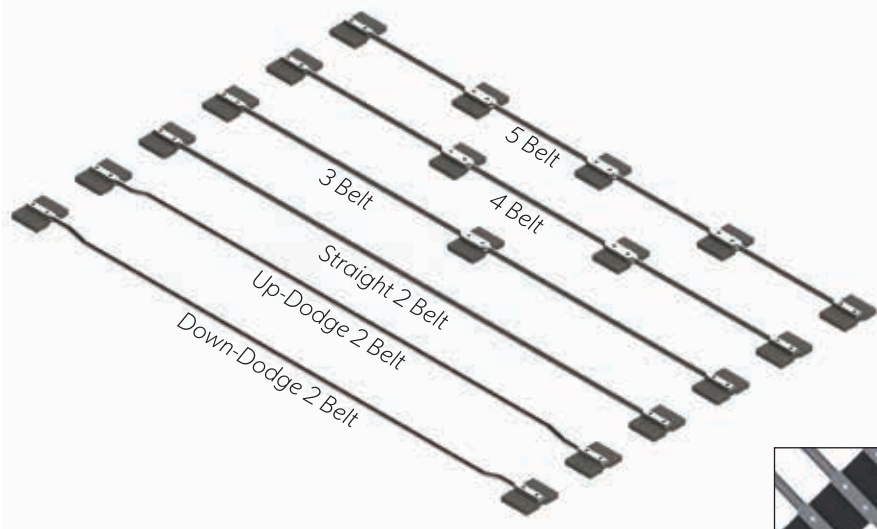


## SKIVE JOINT AND VULCANIZED

Skive joints are considered to be the strongest and most flexible joining method available. Made to reduce the bulkiness of the joint to maintain flexibility, this design is typically used in applications that require smaller diameter sprockets. Skive joints are typically made in a 6 pitch configuration. Rods can be threaded or fastened.



# ROD/BELT TYPES



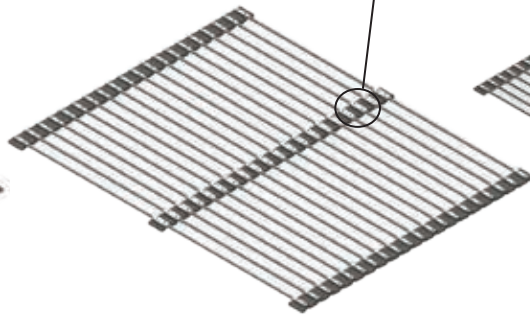
Noffsinger rods are made from high quality, American-made carbon steel. Heat treating is processed in-house and done consistently from end to end leaving no soft or brittle areas. Rods available in 3/8", 7/16", 1/2", & 5/8" diameter.



**TUF-FLEX** through-hardened center forges available upon request. Ideal for 3-belt primary webs.



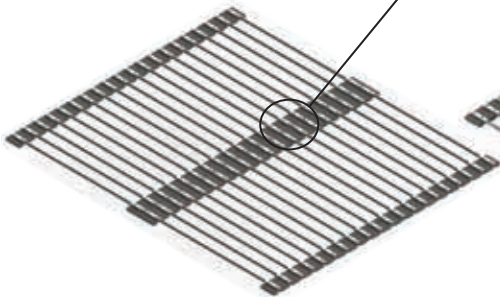
**2 Belt**



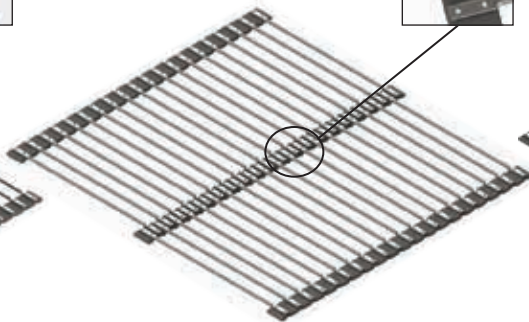
**3 Belt**



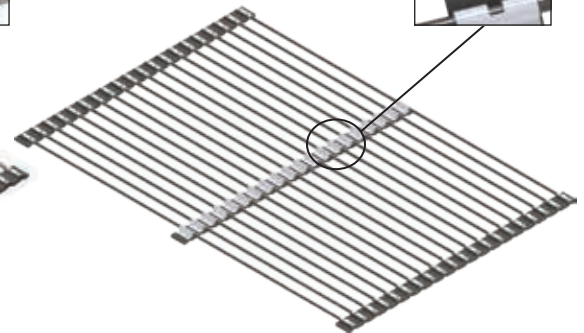
**4 Belt Center Forge**



**Flex Center Belt**



**Staggered Center Belt**



**P-Clip Belt**

Common configurations are shown above. Rods can be patterned (up dodge, down dodge, plain, choice of covering, flight etc.) according to customer specifications.

## COVERINGS (BONDED)



### Soft Rubber Tube (SRT)

An economical covering for use in normal applications. Soft rubber tube is durable and offers good bruise protection.



### Rubber Tube (RT)

The most durable of all of the coverings, this product provides adequate bruise protection under challenging conditions.



### Plastisol (PC)

Plastisol process bonds the material to the rod giving you excellent long lasting bruise protection.



### Cushion Cell (C-Cell)

Also known as Pillow Cushion, this is a moderately priced covering for use in normal applications. Cushion cell offers excellent bruise protection in a product that has moderate durability.



### Cushion Dome (C-Dome)

C-Dome provides good all around protection in a wide variety of conditions.



### C-Flex (Bonded)

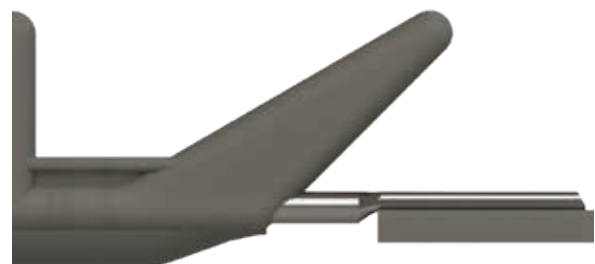
C-Flex provides very good bruise protection, durability and cleans well.

## COVERINGS (MOLDED)





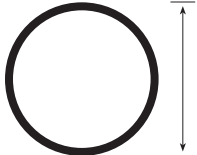



### C-Flex (Molded)

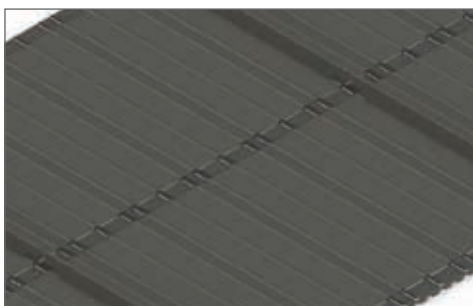
The best all around product, C-Flex provides very good bruise protection is quite durable and cleans well under any conditions.



### With Ears

Optional Ears add protection over rod ends.

Diameter for Coverings					
		Rod Diameter			
	2D View	3/8	7/16	1/2	5/8
SRT		.69"	.75"	.88"	1"
RM			.62"	.75"	
PC		.62"	.69"	.8"	.94"
C-Cell			.81", 1", 1.62"	1"	1.19"
RT		.62"	.69"		
PVC		.62"	.69"		



## TURF BELT

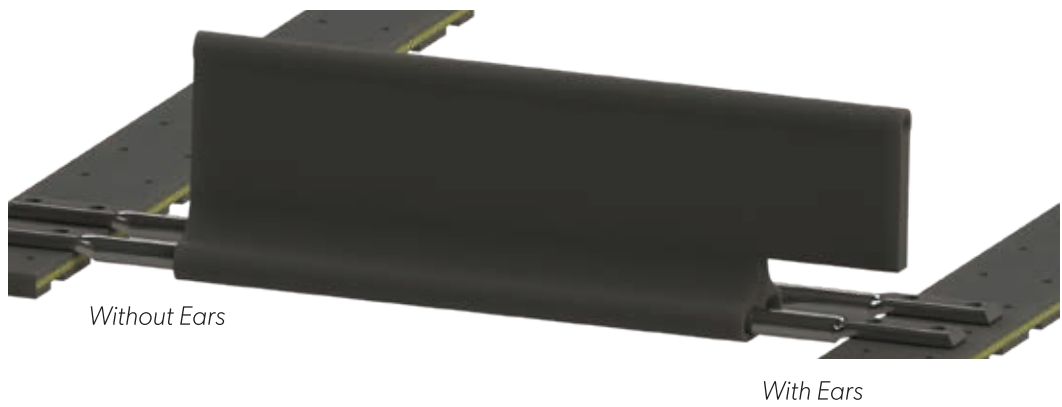
Turf Belt is a great way to create a solid self-supporting convey system for silage or other fine materials. Rods support the belt eliminating the need for full width idlers or a solid conveyor floor.



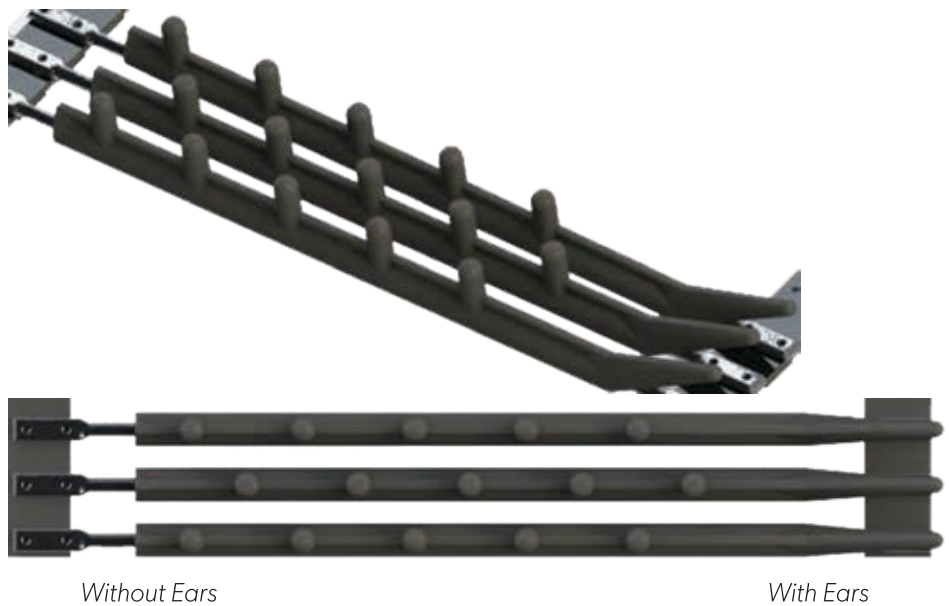
## STANDARD FLIGHT



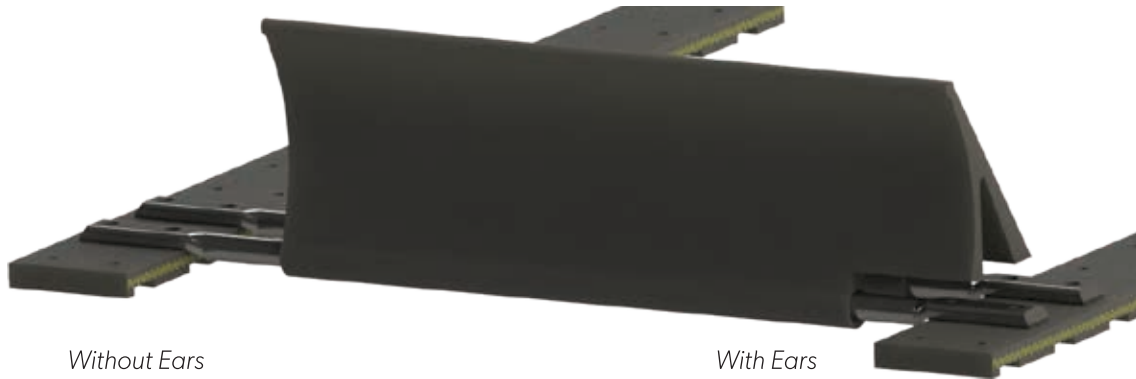
## EXTRUDED FLIGHT



## RUBBER MOLDED FINGER FLIGHTS

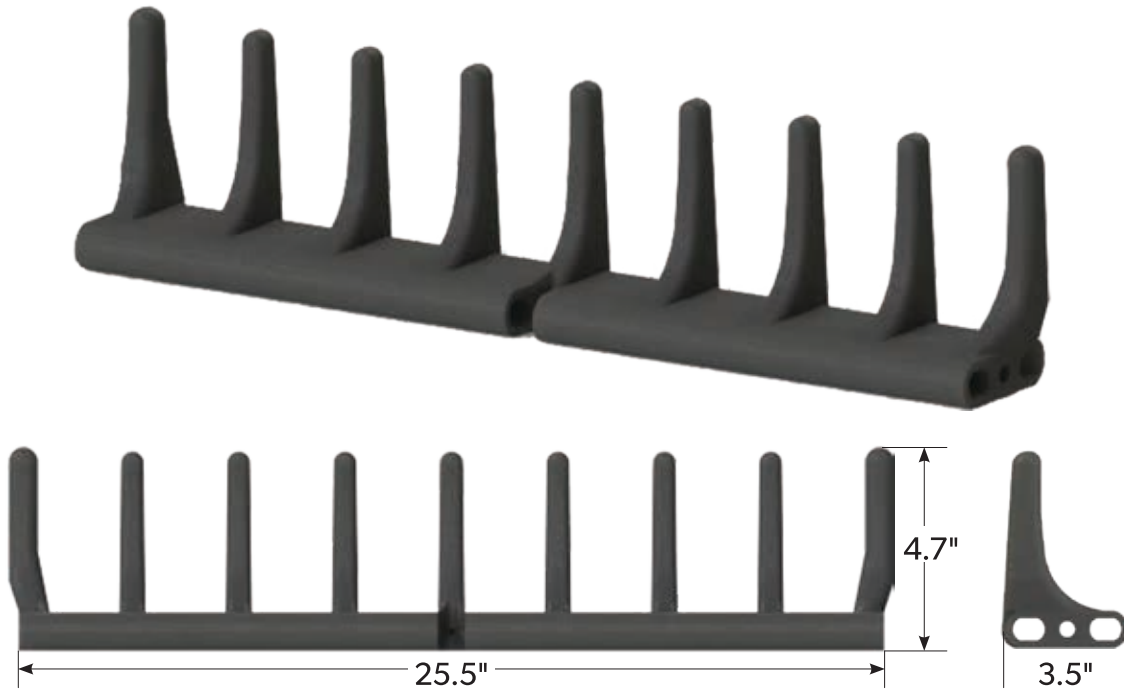


## "A" FLIGHT

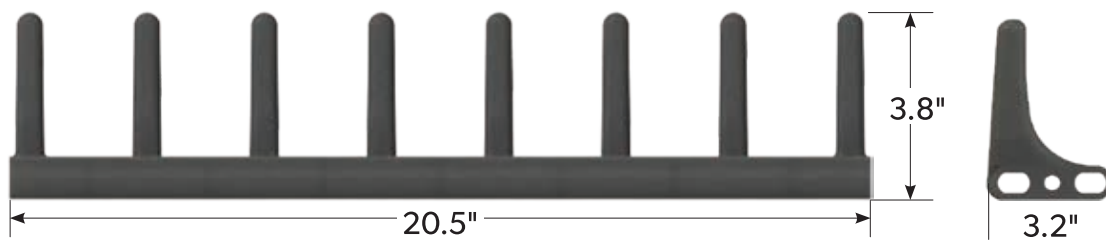


## ROP-9

P/N 119319

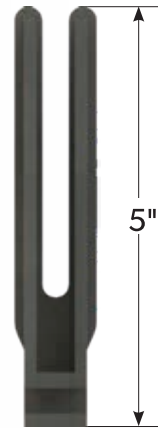
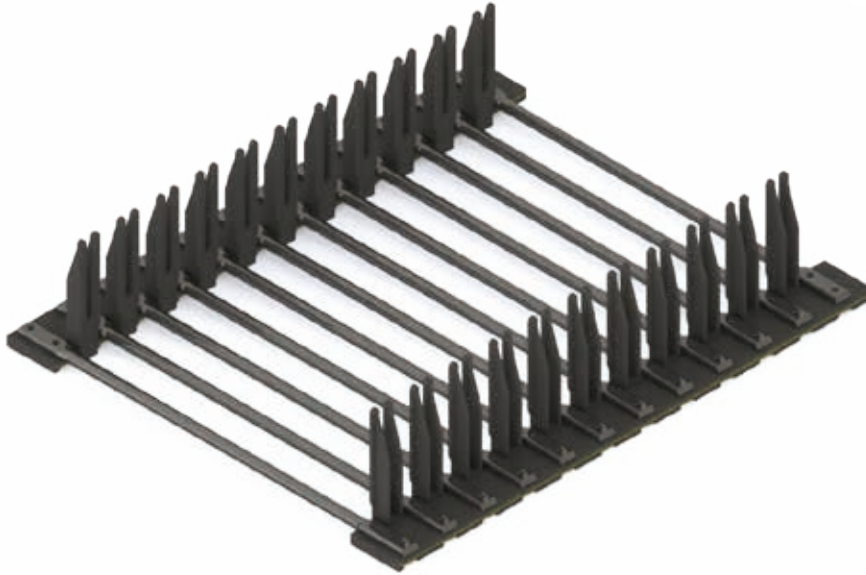


## ROP-8

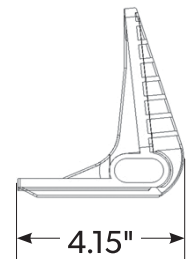
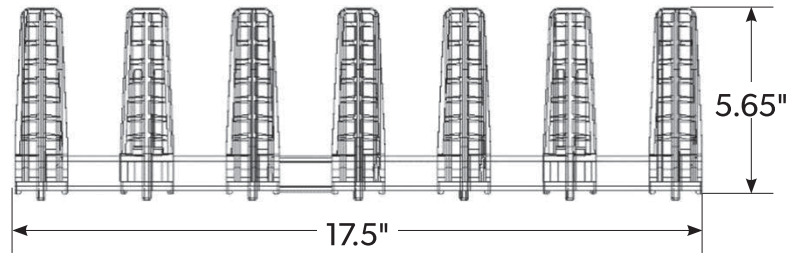
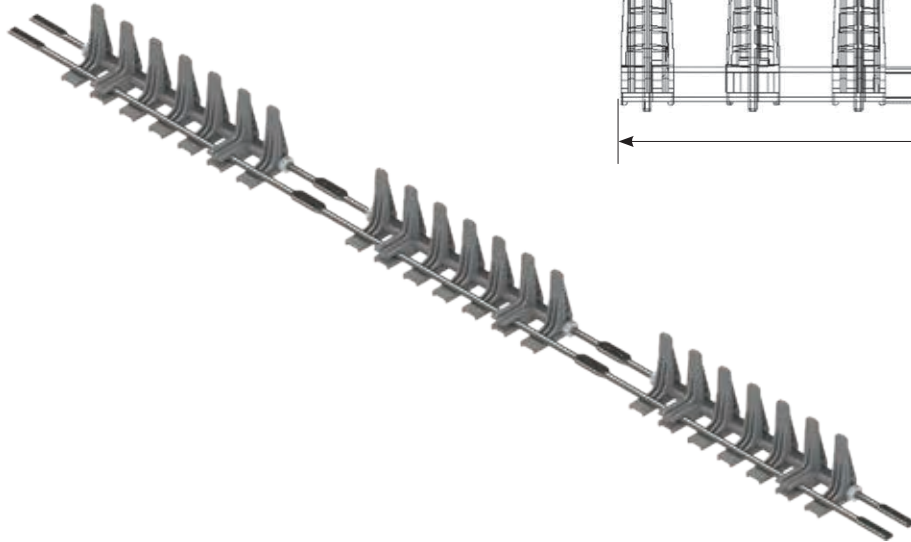


## SIDE FINGERS

P/N 118742

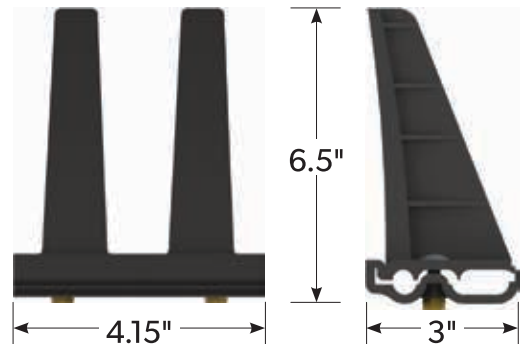


## NOF-7

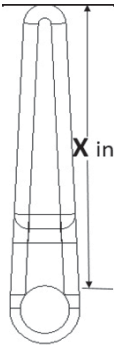
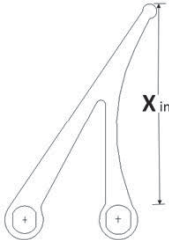

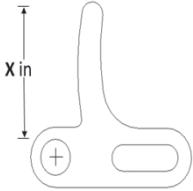


## NOF-2

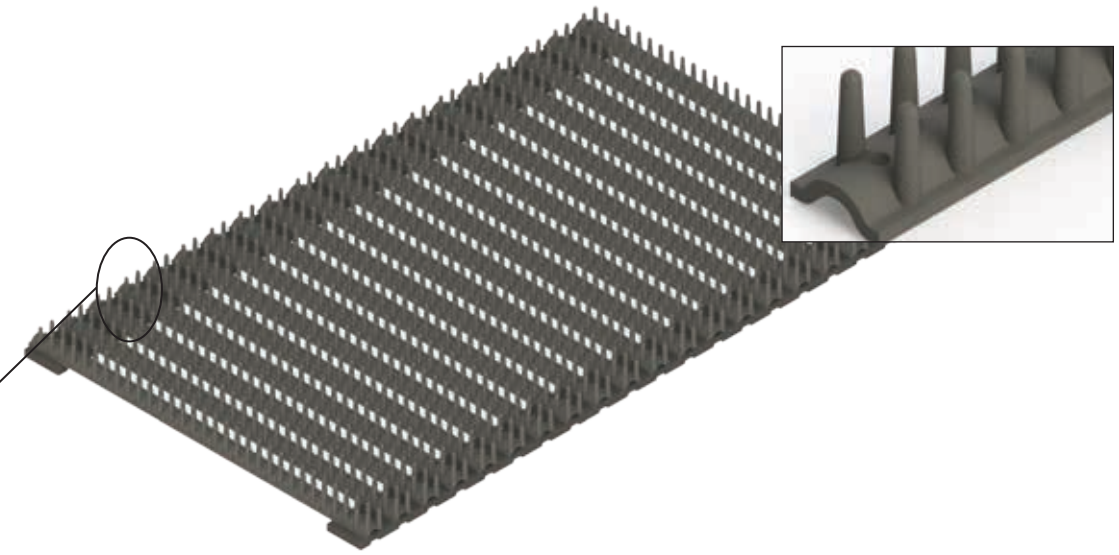
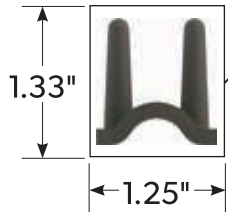
P/N 120104



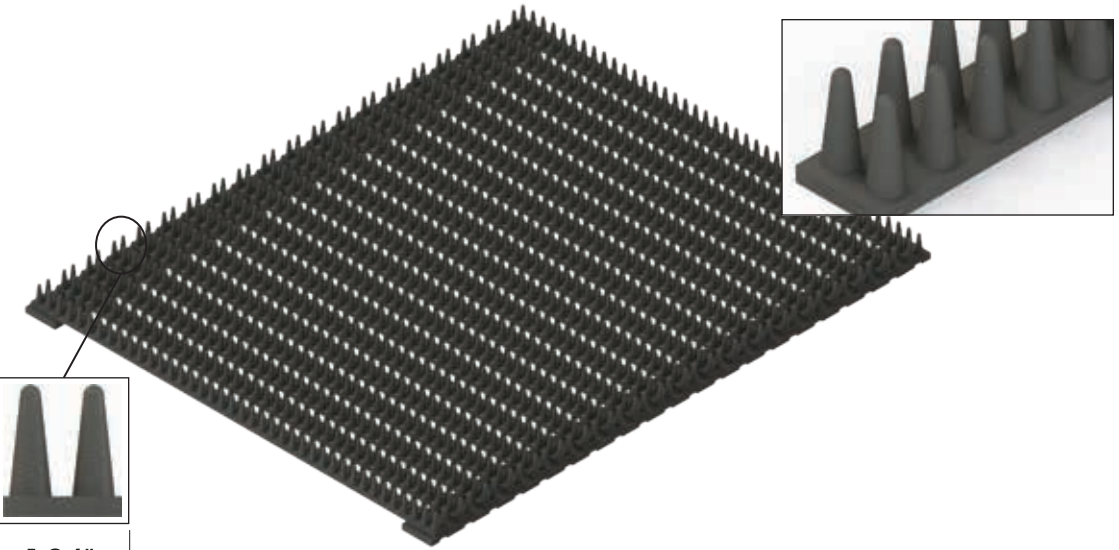
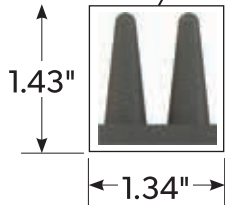
# FLIGHT DIMENSIONS

		<i>Rod Diameter</i>			
		3/8	7/16	1/2	5/8
Standard			1.5", 2.5", 3.5"	1.5", 2.5", 3.5"	
"A" Flight		2", 3", 4", 6"	2", 3", 4", 6"	2", 3", 4", 6"	
Side Wing		1.56", 2.5", 4.5"	1.56", 2.5", 4.5"		
Ext Flight		2", 3", 4"	2", 3", 4"	2", 3", 4"	2", 3", 4"

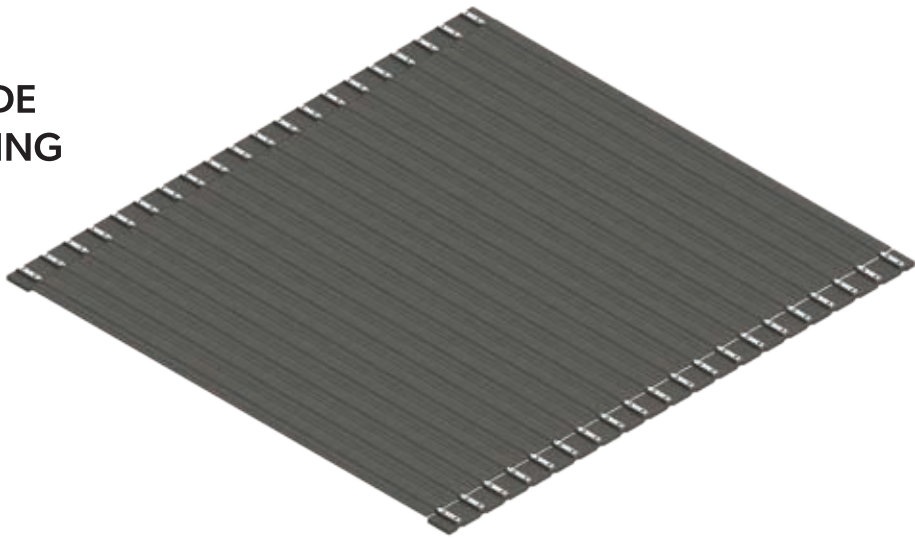
## STANDARD BRISTLE



## FLAT BRISTLE

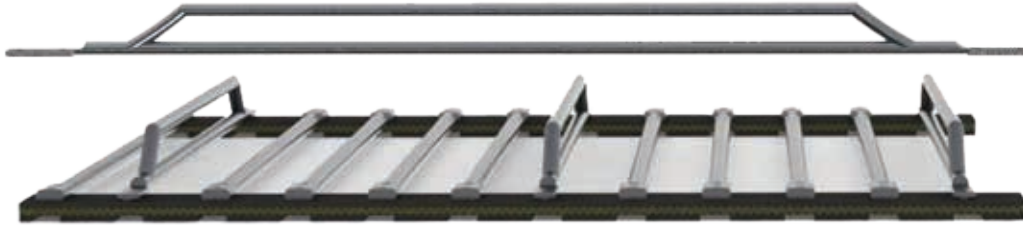


## SIDE WING

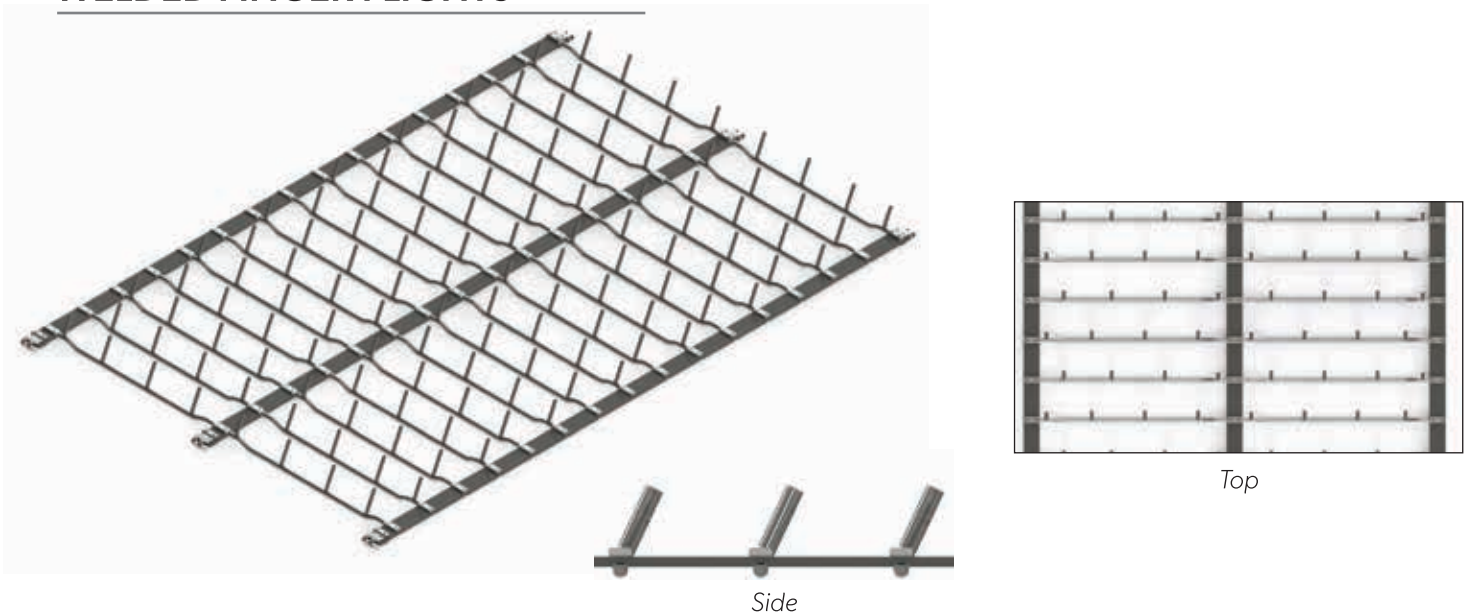


A wide variety of specialty welded products can be fabricated.

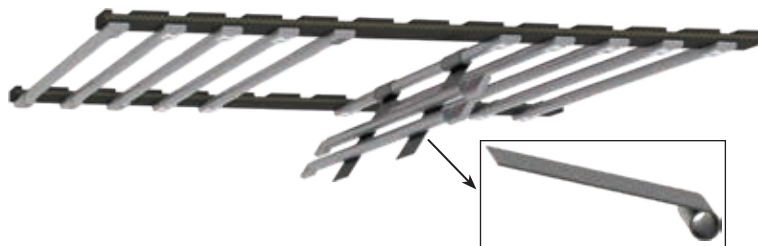
## WELDED FLIGHT



## WELDED FINGER FLIGHTS



## ROCK TRAP



*Allows for the release of rocks or debris captured inside belt.*

## DUAL ROD WEBS

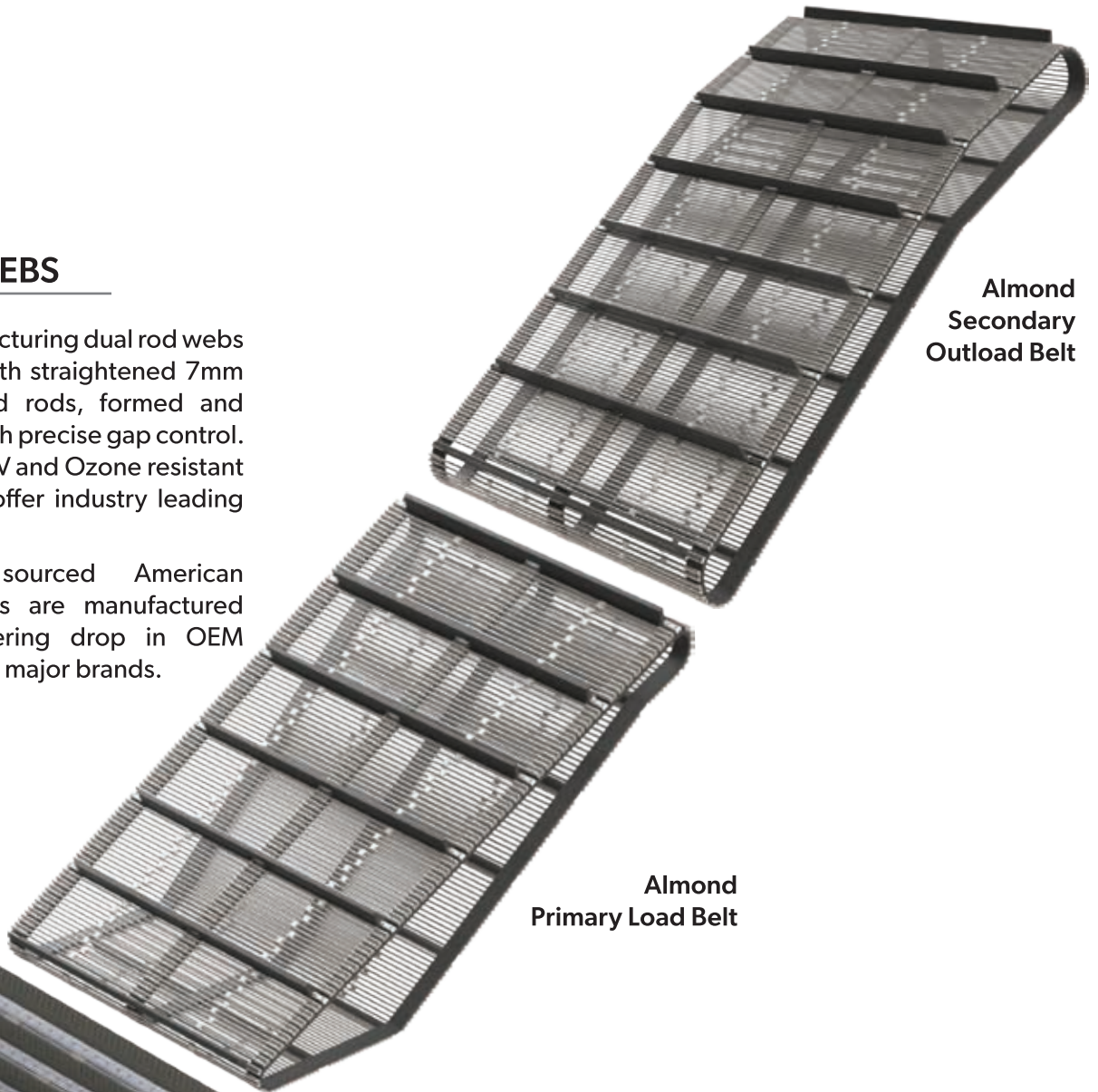
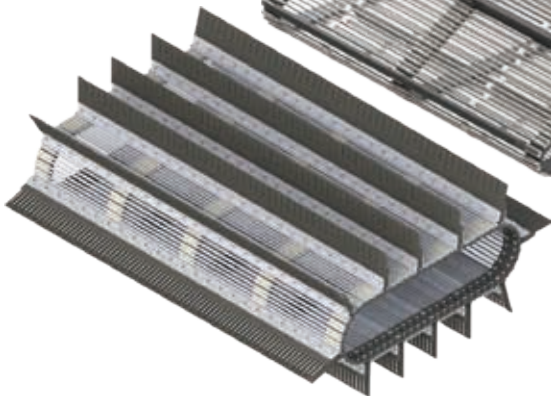
Noffsinger Manufacturing dual rod webs are engineered with straightened 7mm steel heat treated rods, formed and welded to clips with precise gap control. Firmly riveted to UV and Ozone resistant 900N belting to offer industry leading quality and value.

Using locally sourced American steel, these webs are manufactured in Colorado, offering drop in OEM replacement for all major brands.

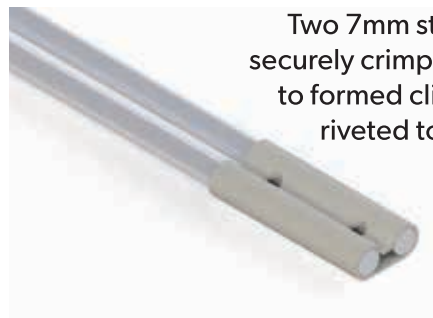
Almond  
Secondary  
Outload Belt

Almond Endless  
5-Belt Pick Up

Almond  
Primary Load Belt



Dual rod flights are specifically made with a wider base to narrow the gap and collect smaller produce, these are offered in multiple heights from 3/4" to 1-3/4"



Two 7mm steel rods are securely crimped and welded to formed clips which are riveted to the belt.

When placing your order for Belted Chain, please provide the following information.

**1. Rod Diameter**

38 = 3/8"  
 44 = 7/16"  
 50 = 1/2"  
 62 = 5/8"  
 Etc.

**2. Overall Belt Width**

1725 = 17-1/4"  
 3000 = 30"  
 4200 = 42"  
 Etc.

**3. Number of Belts & Belt Size**

260 = 2Belts, 60mm wide  
 275 = 2Belts, 75mm wide  
 360 = 3Belts, 60mm wide  
 375 = 3Belts, 75mm wide  
 Etc.

**4. Pitch in Millimeters**

Available sizes:  
 18mm-300m.

**5. LPR (Links per Roll)**

\*all rods and master rod

**6. Patterns**

\*Reference any up or down offset rods and coverings

**7. Joining Method**

HT = Clips  
 LP = Lap  
 SK = Skive  
 VL = Vulcanized.

**Notes:**

The following are standard unless requested otherwise.  
 All belts made with standard profile belting, threaded clips, and 1.25" sprocket run.

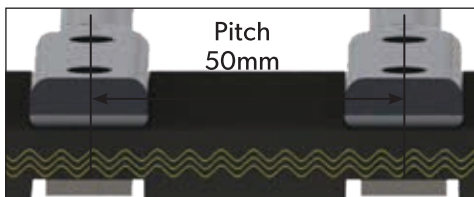
## EXAMPLE OF ORDERING DESCRIPTION



6. Pattern= 1 Flight & 3 Straight Plain

3. # of Belts & Belt Size=260

4. Pitch(mm)



1. Rod Diameter=44

5. LPR= All Rods + Master Rods

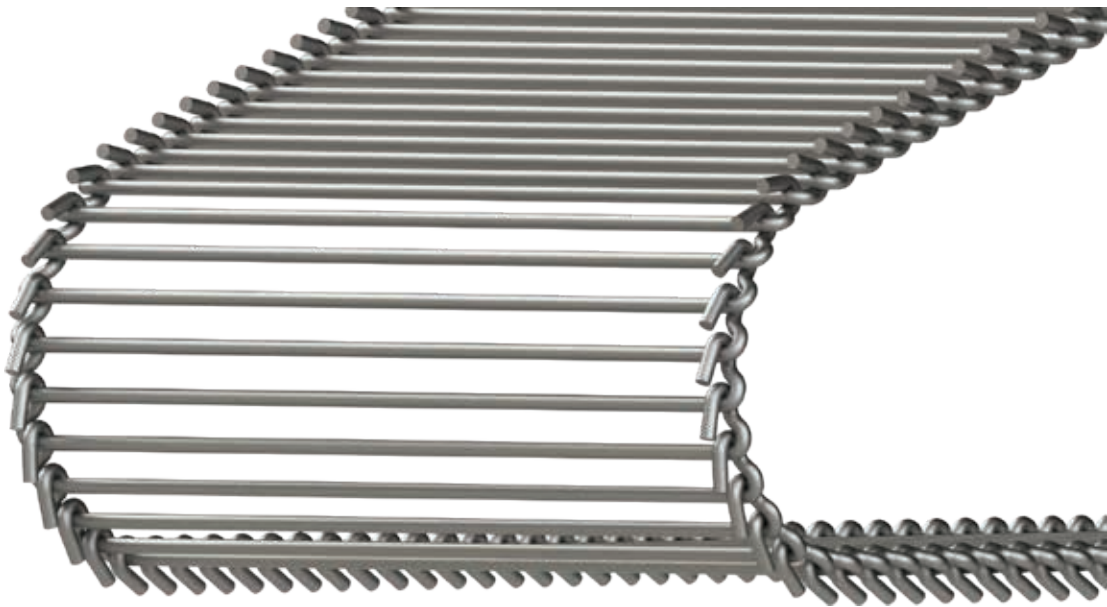
2. Overall Width= 3000

Master Rod

7. HT=Clips

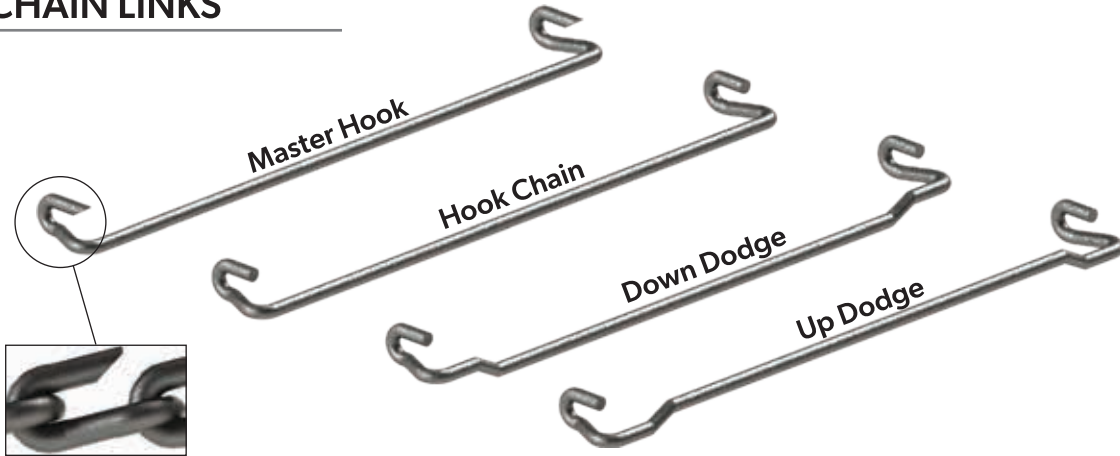


# HOOK CHAIN



Since the early 1920s, Hook Chain has been used as a standard for conveying produce, rocks, trash, and many other products. Its primary use is in severe applications where strength, toughness, stiffness, and durability are required.

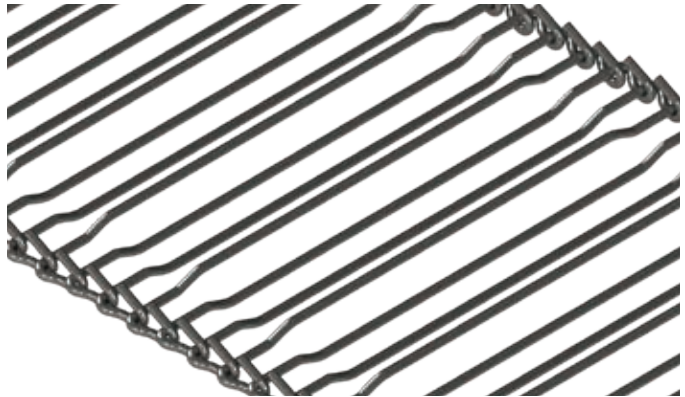
## HOOK CHAIN LINKS



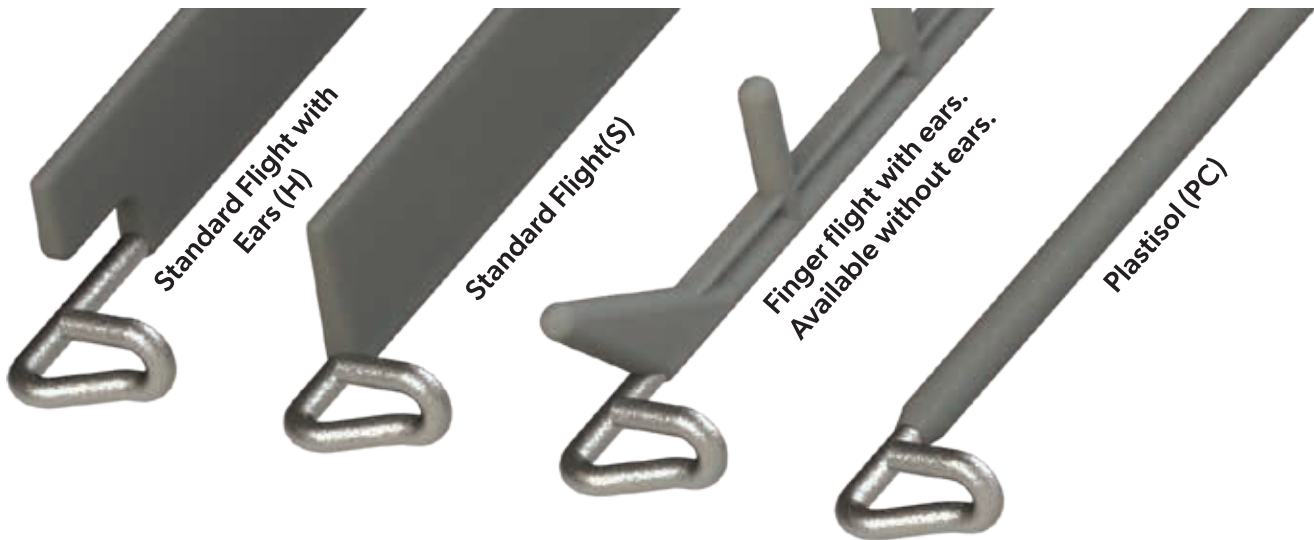
## ASSEMBLY (STRAIGHT PLAIN)



## ASSEMBLY (1 UP & 3 DOWN)



## HOOK CHAIN FLIGHTS & COVERINGS



### 1. Rod Diameter

44 = 7/16"  
50 = 1/2"  
62 = 5/8"

### 2. Overall Belt Width

1725 = 17-1/4"  
3000 = 30"  
4200 = 42"  
Etc.

### 3. Pitch in Inches

See Chart

### 4. Dodge

DN = Std Down  
ST = Straight  
SP = Special  
UP = Std Up

### 5. Covering

- Finger (with or without) Ears
- Standard Flights
- Platisol

### 6. Material

TC = Tuff Cat  
SG = Super Grade

### 7. Joint Type

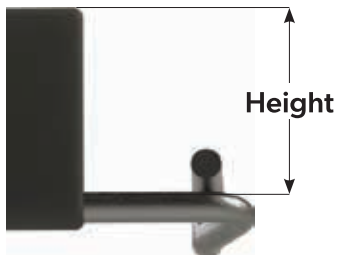
HT = Clips  
LP = Lap  
SK = Skive  
VL = Vulcanized.

### Notes:

The following method of pitch measurement can be used when chain is worn or when only one link is available.



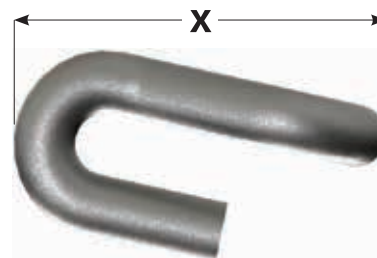
Hooks Down (HD)



Hooks Up (HU), Standard

Example: If you measure 2.44", take your rod diameter (.44") and multiply it by 2. For this example it would be .88". Now subtract your measurement (2.44"-.88")

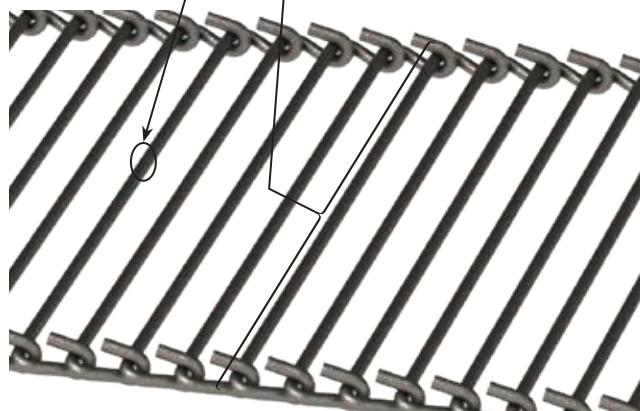
Your pitch would be 1.56"



$$3. \text{ Pitch} = X - (2 * \text{Rod Diameter})$$

LINK, HC 44 3000 125 ST PL SG

1. 2. 3. 4. 5. 5.

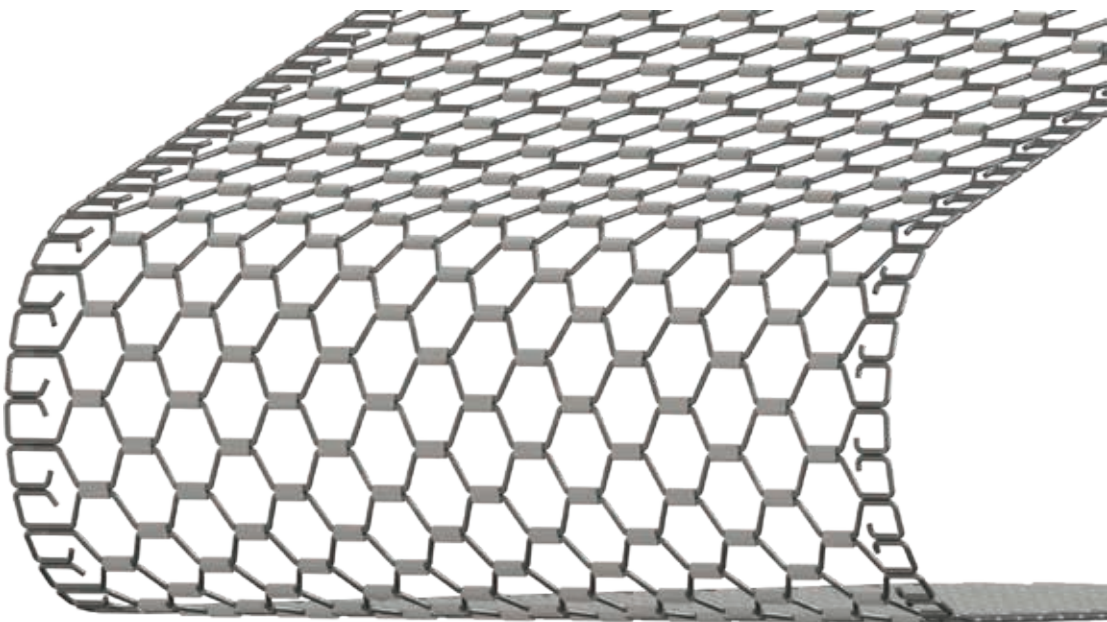


### Available Pitches

Pitch	7/16 dia rod	1/2 dia rod	5/8 dia rod
1.00"	x		
1.25"	x		
1.37"	x	x	
1.56"	x	x	
1.76"	x	x	x
1.88"	x	x	x
2.00"	x	x	x
2.25"	x	x	x
2.37"	x	x	x
2.50"	x	x	x
5.06"			x
6.00"			x



# WIRE BELT



Wire Belt, sometimes called sizing screen or eliminator belt, is used to convey and size many products such as potatoes, onions, tomatoes, apricots, apples, plums, peaches, cherries, nuts, etc. It is available with neoprene coating where gentle handling is required. Available in Hex and Round mesh, with Hex being the most popular since it gives the customer more opening per square foot.

## General Ordering Information:

Part Number = Wire Belt, Hole Shape, Hole Size, Belt Width, Wire Size, Construction

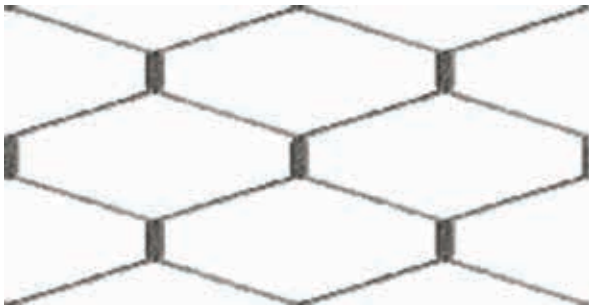
1                      2                      3                      4                      5

### 1. Hole Shape:

Hex

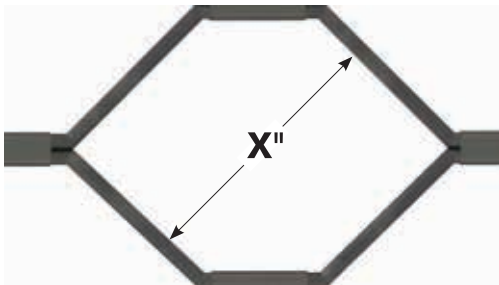


Hop



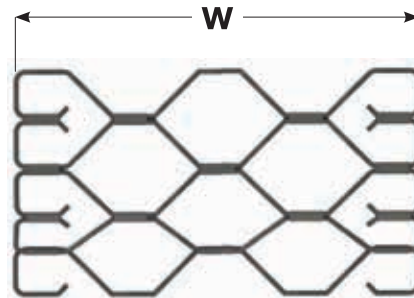
### 2. Hole Size:

Measure Diagonally Across the Hole to the Inside of the Wire ("X") - Tolerance plus or minus 1/32".



### 3. Belt Width:

Measure Across the Width of the Belt ("W") - Tolerance will depend on hole size and width.



### 4. Wire Size:

- #10 Gauge      .135" Diameter      Standard Duty  
Available from 1" to 1-1/8" Hole Size
- # 9 Gauge      .148" Diameter      Standard Duty  
Available from 1-3/16" to 1-7/16" Hole Size
- # 8 Gauge      .162" Diameter      Heavy Duty  
Available from 1-1/2" and Larger Hole Size

### 5. Construction:

- Galvanized Wire
- Neoprene Coated Wire
- Stainless Steel Wire

### Special Applications Available:

A wide variety of belts are available for special applications, where special handling characteristics must be taken into consideration. Some of the applications are for hop picking, tomato sorting, nut sorting as well as onion and potato belts.

## End Bending:

*(Dictated by the Belt Width and Hole Size)*

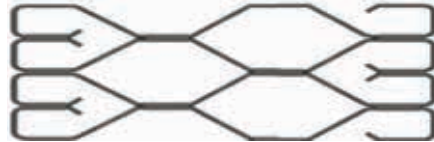
### END BEND SAME (EVEN):

Note the wire ends up in the same place on both ends.



### END BEND OPPOSITE (ODD:)

Note the wire bends a different direction on each end (an "S" shape).



### HOP TURN:

Note the wire bends to the outside away from the flow of product.



## Connector System:

### "STANDARD" CONNECTOR:

- Will Last 4-6 Changes
- Comes Standard On Every Belt
- Order Part Number 105449



### "SNAP LOK" CONNECTOR:

- Must Be Specially Odered
- Order Part Number 105448



### "WIRE LOK" CONNECTOR:

- Very Quick To Change
- Somewhat Quicker Wear
- Available In 1-1/2" to 3-1/4" Hole Size
- Maximum 60" width
- Must Be Specially Ordered
- Order By Part Number According To Size Needed



## Repair Clip:

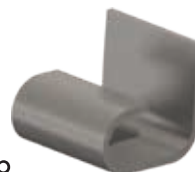
Single clips are available in order to replace those clips worn or broken. Clips can easily be replaced on the sorter line or in the field. These clips will fit all Noffsinger Wire Belt - standard duty or heavy duty.



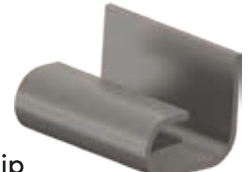
1/4" Clip  
C-1 P/N 105450



3/8" Clip  
C-4 P/N 105451 9GA  
C-5 P/N 109819 10GA



1/2" Clip  
C-7 P/N 105453 8GA  
C-6 P/N 105452 9GA



3/4" Clip  
C-10 P/N 105456 8GA

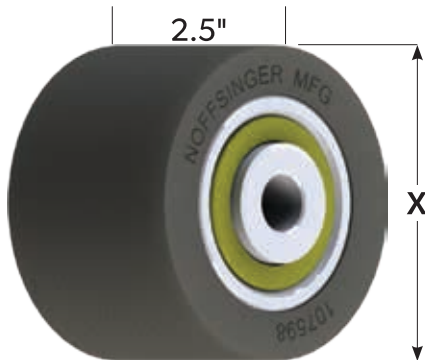


# PARTS



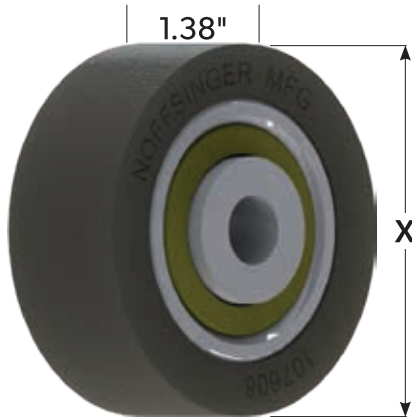
A full line of drive sprockets, friction drive rollers, shakers, flails, and rollers of all types (steel, urethane, and rubber) are available for use with Noffsinger Belt Chain and Hook Chain conveyors. These products are constructed from many types of materials for various conditions and applications.

## URETHANE ROLLERS



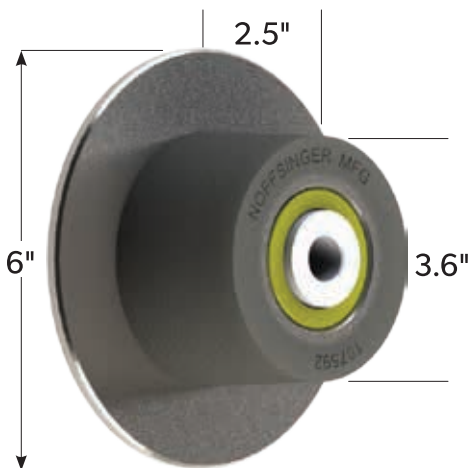
3.5" UR/STL 107598  
H.T. Steel 107528  
4" UR/STL 107599

## URETHANE IDLERS

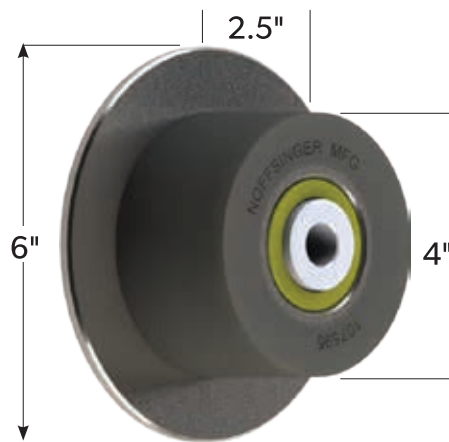


UR/STL  
3.5" - 107608  
4.0" - 107613  
5.0" - 107614

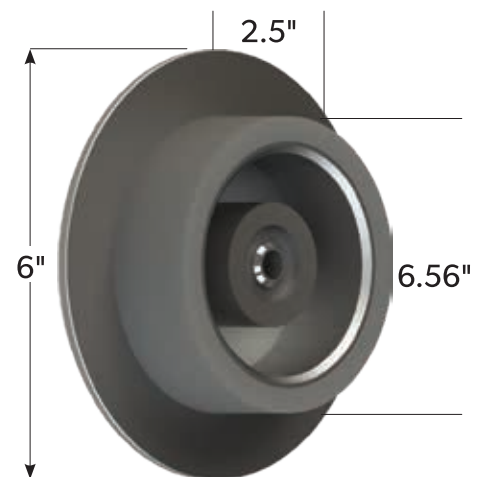
## FLANGE ROLLERS



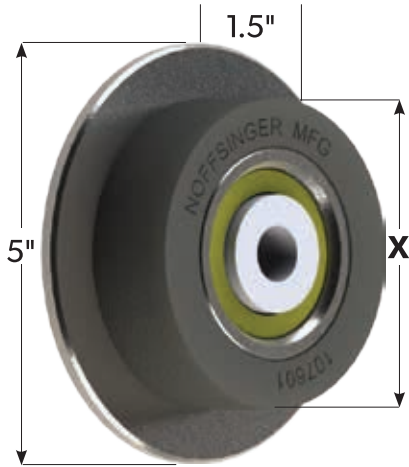
H.T. STEEL 107592  
URETHANE



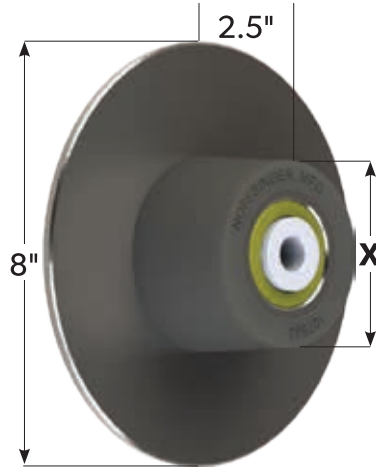
H.T. STEEL 107595  
URETHANE



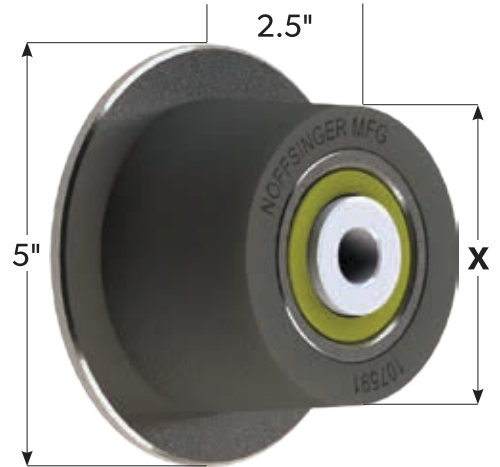
ST 107620



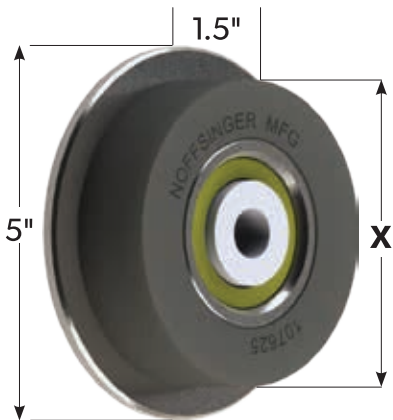
3.5" UR/STL 107601  
H.T STEEL 107562



3.5" UR/STL 107593  
4.0" UR/STL 107596  
5.0" UR/STL 107597

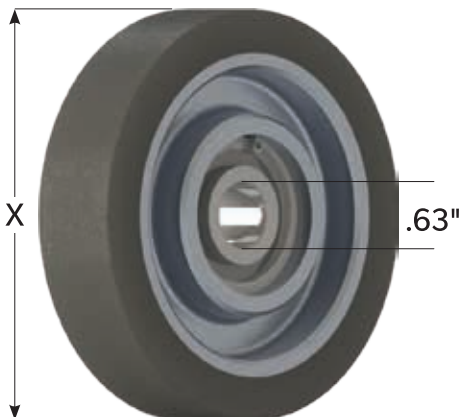


3.5" UR/STL 107591  
4" UR/STL 107594



4" UR/STL 107625

## URETHANE IDLERS



Idler Rollers Only			
Part Number	Diameter	Width	Bolt Size
107695	2.75"	1.5"	5/8"
107702	4"	1"	1/2"
107667	4"	1"	5/8"
107703	5"	1"	1/2"
107668	5"	1"	5/8"
107716	6"	1"	1/2"
107669	6"	1"	5/8"



### Idler Rollers Assemblies

(includes roller, standoff, bolt, nut and lock washer)

Part Number	Diameter	Width	Bolt Size
107698	4"	1"	1/2"
107700	4"	1"	5/8"
107669	5"	1"	1/2"
107701	5"	1"	5/8"
107717	6"	1"	1/2"
107718	6"	1"	5/8"

### Standoffs

Length	.50 Bore	.62 Bore
0.5"	109275	107156
0.75"	109277	107135
1.5"	109283	107240
1.75"	109228	107241
2"	109287	109291

## RUBBER OR SOLID URETHANE



### Idler Roller Only

Part Number	Diameter	Description	Bore Size
103877	3.25"	Rubber	3/4"
112652	4"	Urethane	1"
103876	4"	Rubber	1"
112653	5"	Urethane	1"
103875	5"	Rubber	1"

### Idler Rollers Assemblies

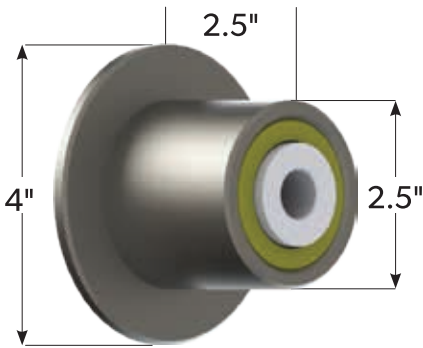
(includes roller, standoff, bolt, nut and lock washer)

Part Number	Diameter	Description	Bolt Size
103871	3.25"	Rubber	3/8"
113044	4"	Urethane	1/2"
103870	4"	Rubber	1/2"
113045	5"	Urethane	1/2"
103848	5"	Rubber	1/2"

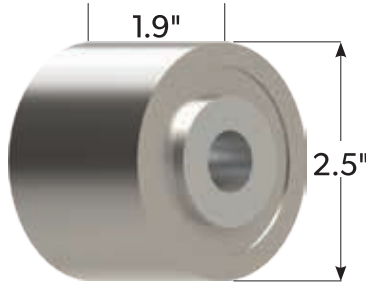
### Standoffs

Standoff	.50 Bore	.62 Bore
1.25"	112482	111434
1.75"	111432	111433

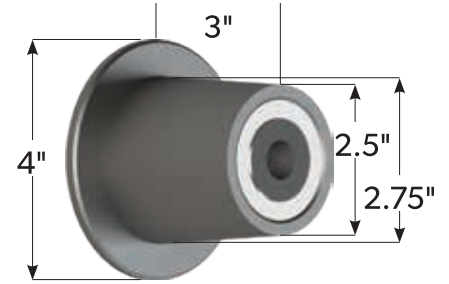
## HEAT TREATED STEEL ROLLERS



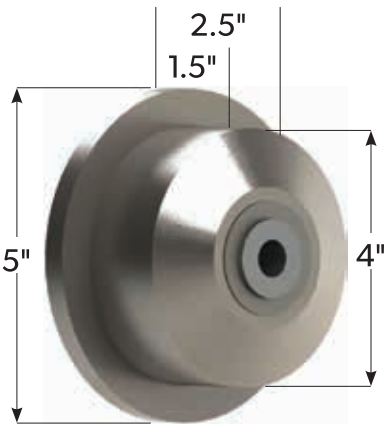
H.T. STEEL 107629



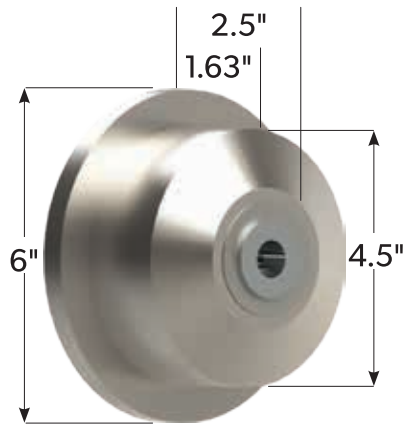
H.T. STEEL 107611



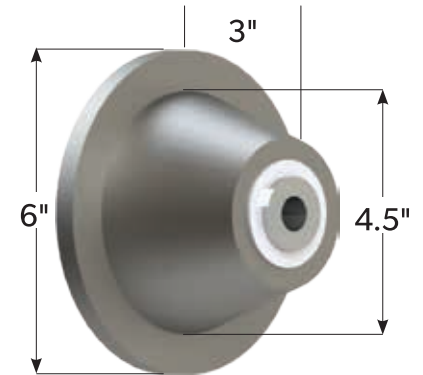
H.T. STEEL 107628



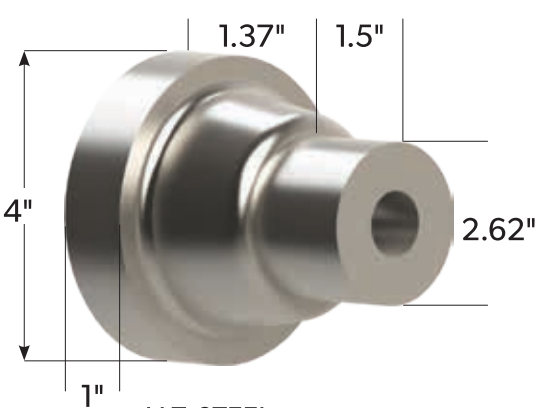
H.T. STEEL 107637



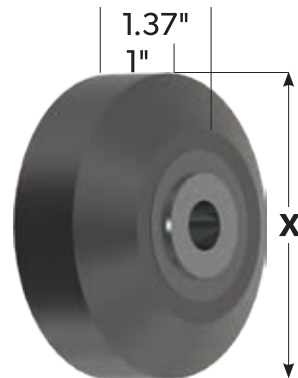
H.T. STEEL 107638



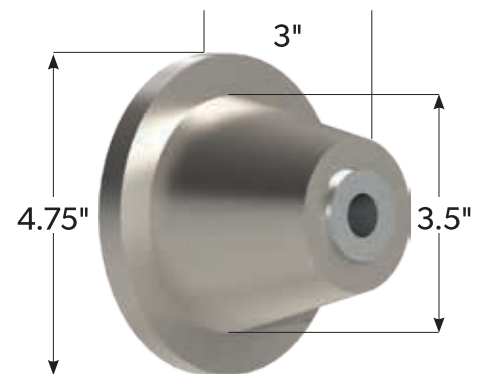
H.T. STEEL 107636



H.T. STEEL  
ROLLER ONLY 107604  
STANDOFF ONLY 109483  
ASSEMBLY (AS PICTURED) 107724

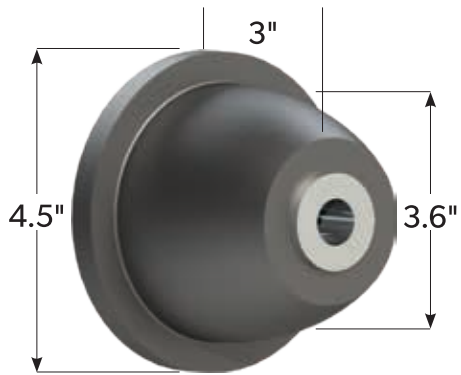


H.T. STEEL  
4.0" - 107609  
5.0" - 107610  
6.0" - 107632



H.T. STEEL 107615

## HEAT TREATED STEEL ROLLERS



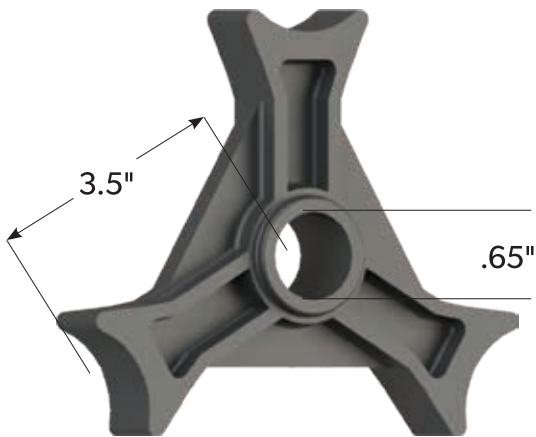
H.T. STEEL 107618

## URETHANE SHAKERS



103878 - RUBBER  
112662 - URETHANE

## STEEL SHAKERS



800010



800012 - 1/2" BORE  
800013 - 5/8" BORE



800008

## HEX, RIB, & CLOD

Complete part number list on pages 35.



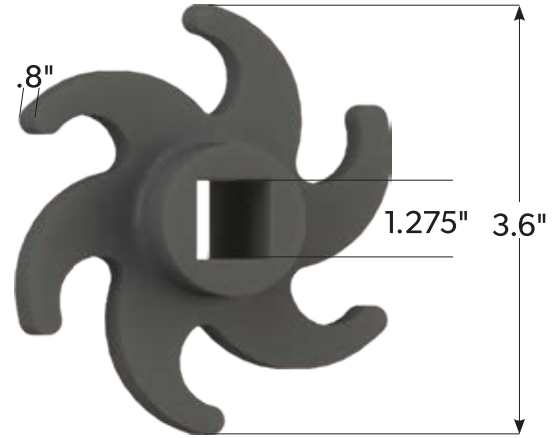
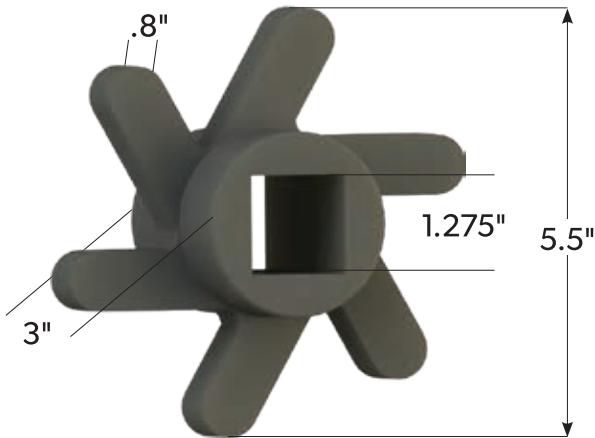
111467



111059

## RUBBER STAR ROLLERS

Complete part number list on page 37. Available in Rubber & Red Urethane



## URETHANE STAR ROLLERS



119153



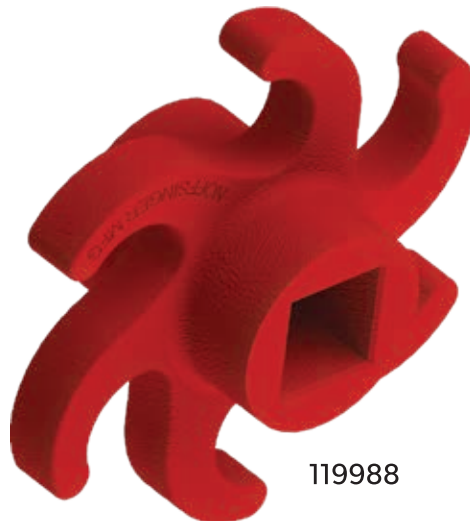
119189



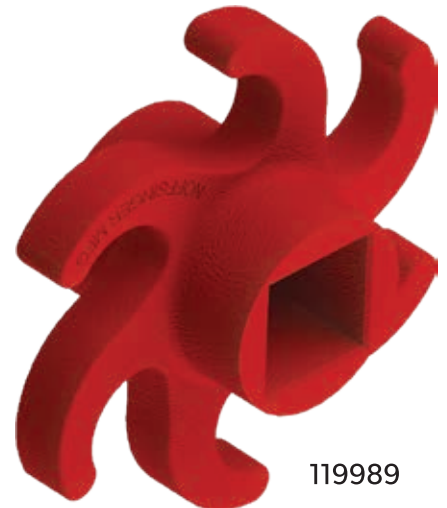
119986



119987



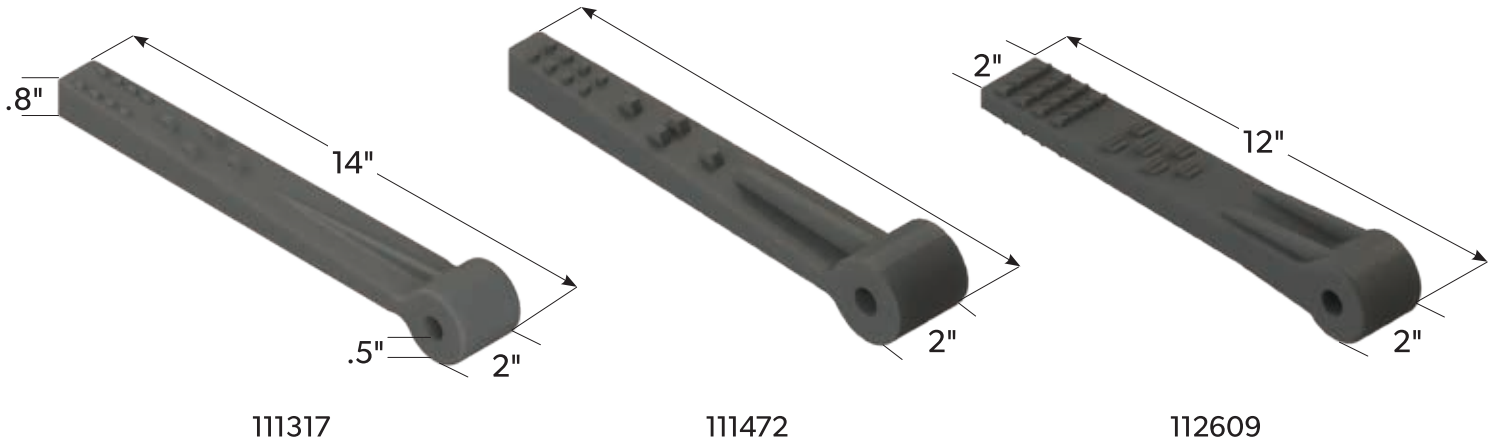
119988



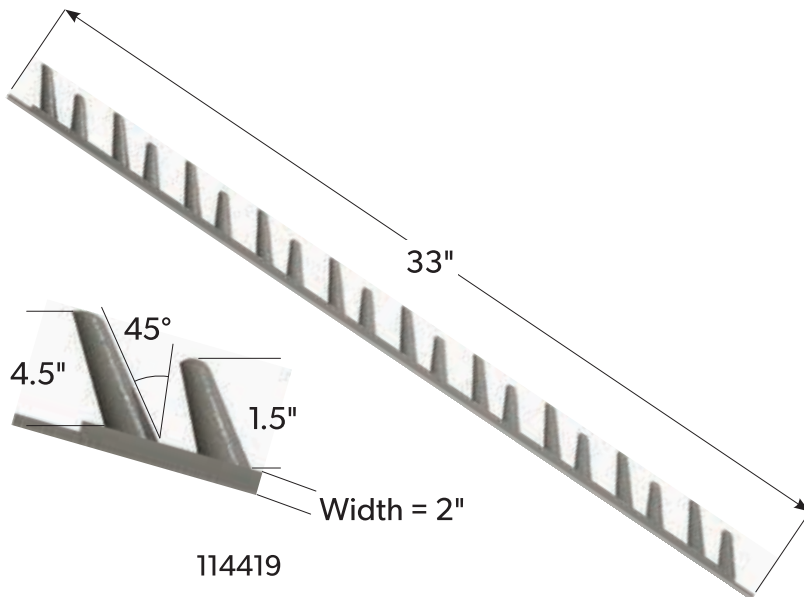
119989

## FLAILS

Complete part number list on page 36.



## FINGER GUARD





**HOOK CHAIN SPROCKET**



**BELTED CHAIN SPROCKET**



**HIGH PROFILE**



**HYBRID SPROCKET**

Noffsinger hook and belt chain steel sprockets are made from the highest grade cast iron with the maximum amount of chrome added for extended life. Steel cut and urethane sprockets are also available. Noffsinger has special patterns made exclusively for every sprocket. They are precision designed to exactly match the chain pitch and sprocket run requirements. With Noffsinger's sprockets, there's no loose or sloppy fit because the pattern has been properly engineered. There are a variety of style, with pitches and number of teeth to fit any type of machinery.

# SPROCKET DIMENSIONS

Belt Chain Sprockets	Diameter	Hook Chain Sprockets	Diameter	Hook Chain Sprockets	Diameter
14T28MM	5-3/4"	14T100	4-7/8"	8T175	5-1/2"
18T28MM	7-3/4"	16T100	5-1/2"	9T175	6-1/4"
22T28MM	8-1/2"	18T100	6-1/4"	10T175	7"
		24T100	8-1/4"	12T175	8-1/8"
12T32MM	6"			14T175	9-1/2"
16T32MM	8"	12T902	5-1/4"		
18T32MM	8-1/2"			8T188	5-3/4"
		12T116(32)	5"	10T188	7-3/16"
10T36MM	5-3/4"	14T116(32)	5-7/8"	12T188	8-3/4"
12T36MM	6-1/2"	16T116(32)	6-1/2"	14T188	9-7/8"
14T36MM	7-3/4"	18T116(32)	7-3/8"		
16T36MM	8-1/2"	20T116(32)	8-1/4"	7T200	5-1/4"
				8T200	6-5/8"
10T40MM	6"	10T125	4-1/2"	9T200	6-3/4"
12T40MM	7-3/8"	11T125	5"	10T200	7-1/2"
14T40MM	8-1/2"	12T125	5-3/8"	12T200	9"
		14T125	6-3/16"		
10T42MM	6-1/2"	16T125	6-15/16"	8T225	7"
12T42MM	8"	18T125	8"	10T225	8-7/8"
14T42MM	8-7/8"	20T125	8-7/8"		
				8T237	7-3/4"
8T45MM	5-3/4"	10T1375(42)	5-3/16"	12T237	10-1/2"
9T45MM	6-5/16"	12T1375(42)	5-7/8"		
10T45MM	7-1/8"	14T1375(42)	7"	8T250	7-3/4"
12T45MM	8-1/8"	16T1375(42)	7-3/4"	10T250	9-1/2"
14T45MM	9"				
		9T156	5-1/4"	6T506	11-3/4"
8T50MM	6-3/4"	10T156	6"	5T600	11-3/4"
10T50MM	8"	12T156	7-3/16"		
12T50MM	9-3/8"	14T156	8-3/8"		
14T50MM (5/8 rode exclude)	10-3/4"	16T156	9"		
		18T156	9"		
		18T156	10"		
5T150MM	11-3/8"				
6T126MM	11"				
6T135MM	12"				
7T150MM	14-3/4"				
8T56MM	6-3/4"				
10T56MM	8-7/8"				

PART# DESCRIPTION

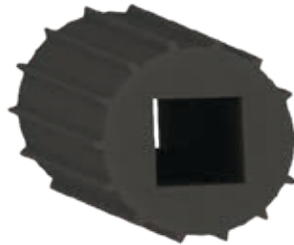
## IDLER ROLLERS

112231	ROLLER, IDLER 400D 088RD 100W
103876	ROLLER, IDLER 400D 100RD 100W
103875	ROLLER, IDLER 500D 100RD 100W
111452	ROLLER, IDLER 500D 125SQ 275W
111453	ROLLER, IDLER 500D 150SQ 275W



## RIB ROLLERS

111045	ROLLER, RIB 14X300 100RD 55D
111054	ROLLER, RIB 14X300 125RD 55D
111059	ROLLER, RIB 14X300 125SQ 55D
111351	ROLLER, RIB 16X300 100RD 45D
111349	ROLLER, RIB 16X300 125SQ 45D



## CLOD ROLLER

111362	ROLLER, CLOD 3" SMOOTH, LKD
111464	ROLLER, CLOD 3" SMOOTH, ART
111363	ROLLER, CLOD 3-1/2" SMOOTH, LKD
111465	ROLLER, CLOD 3-1/2" SMOOTH, ART
111364	ROLLER, CLOD 4" SMOOTH, LKD
111466	ROLLER, CLOD 4" SMOOTH, ART
111365	ROLLER, CLOD 5" SPIRAL, LKD
111467	ROLLER, CLOD 5" SPIRAL, ART
111366	ROLLER, CLOD 10" SPIRAL, LKD
111780	ROLLER, CLOD 10" SPIRAL, ART



## HEX OR SHAFT DRIVE

111357	ROLLER, CLOD 3" SMOOTH, Hex
111354	ROLLER, CLOD 3" SMOOTH, ST
111358	ROLLER, CLOD 3-1/2" SMOOTH, Hex
111355	ROLLER, CLOD 3-1/2" SMOOTH, ST
111359	ROLLER, CLOD 4" SMOOTH, Hex
111356	ROLLER, CLOD 4" SMOOTH, ST
111360	ROLLER, CLOD 5" SPIRAL, Hex
111352	ROLLER, CLOD 5" SPIRAL, ST



*\*Most rubber molded parts are available in red urethane. Please inquire with sales for details.*

PART# DESCRIPTION

### ACORN ROLLERS

111007	ACORN, FULL 100RD 45D
111009	ACORN, FULL 125RD 45D
111013	ACORN, FULL 125SQ 45D
111015	ACORN, HALF 100RD 45D
111005	ACORN, HALF 125RD 45D
111017	ACORN, HALF 125SQ 45D



### FLAILS

111472	FLAIL, RUBBER 12 TAPERED 062B 75D
111317	FLAIL, RUBBER 14 TAPERED 062B 75D
112609	FLAIL, RUBBER 12 STRAIGHT 062B 75D



### FINGER ROLLER

111118	ROLLER, FINGER 550D 275L 125B 6PT 45D
111123	ROLLER, FINGER 550D 275L 150B 6PT 45D
111120	ROLLER, FINGER 550D 300L 125B 6PT 45D
111126	ROLLER, FINGER 550D 300L 150B 6PT 45D
111121	ROLLER, FINGER 550D 350L 125B 6PT 45D
111127	ROLLER, FINGER 550D 350L 150B 6PT 45D



### ELIMINATOR STAR ROLLERS

112327	ROLLER, STAR 525D 125L 125B 10PT 45D
112328	ROLLER, STAR 525D 125L 150B 10PT 45D
112313	ROLLER, STAR 625D 125L 125B 6PT 55D
112314	ROLLER, STAR 625D 125L 125B 6PT 70D
112315	ROLLER, STAR 625D 125L 150B 6PT 55D
112316	ROLLER, STAR 625D 125L 150B 6PT 70D
112274	ROLLER, STAR 650D 125L 125B 14PT 55D
112276	ROLLER, STAR 650D 125L 125B 14PT 70D
112275	ROLLER, STAR 650D 125L 150B 14PT 55D
112277	ROLLER, STAR 650D 125L 150B 14PT 70D
116789	ROLLER, STAR 700D 275L 125B 5PT 45D



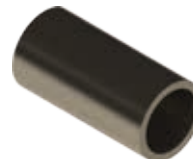
### SPACERS FOR STAR ROLLERS

111341	SPACER, RUBBER 225D 025L 125B
111342	SPACER, RUBBER 225D 038L 125B
111343	SPACER, RUBBER 225D 044L 125B
111344	SPACER, RUBBER 225D 062L 125B



### BUSHING

103761	1/2" Bore x 1-1/4" Long x 5/8" OD
103762	1/2" Bore x 3/4" Long x 5/8" OD



\*Most rubber molded parts are available in red urethane. Please inquire with sales for details.

PART# DESCRIPTION

## STAR ROLLERS

111132	ROLLER, STAR 525D 275L 125B 5PT 45D
111335	ROLLER, STAR 625D 125L 125B 6PT 55D
111336	ROLLER, STAR 625D 125L 125B 6PT 70D
111331	ROLLER, STAR 625D 125L 125B 12PT 55D
111332	ROLLER, STAR 650D 125L 125B 12PT 55D
111333	ROLLER, STAR 650D 125L 125B 12PT 70D
111334	ROLLER, STAR 650D 125L 125B 12PT 70D
111134	ROLLER, STAR 650D 275L 125B 6PT 45D
111312	ROLLER, STAR 650D 300L 125B 6PT 55D



## URETHANE FINGER ROLLERS

119153	ROLLER, STAR 625D 125L 125B 6PT 65D RED URETHANE
119189	ROLLER, STAR 625D 125L 150B 6PT 65D RED URETHANE
119986	ROLLER, STAR 650D 125L 125B 14PT 65D RED URETHANE
119987	ROLLER, STAR 650D 125L 150B 14PT 65D RED URETHANE
119988	ROLLER, STAR 650D 300L 125B 6PT 65D RED URETHANE
119989	ROLLER, STAR 650D 300L 150B 6PT 65D RED URETHANE



## SPACERS FOR ELIMINATOR ROLLERS

112353	SPACER, RUBBER 250D 025L 125B
112354	SPACER, RUBBER 250D 025L 150B
111315	SPACER, RUBBER 250D 050L 125B
112355	SPACER, RUBBER 250D 050L 150B
112356	SPACER, RUBBER 250D 062L 125B
112357	SPACER, RUBBER 250D 062L 150B
111340	SPACER, RUBBER 250D 075L 125B
112358	SPACER, RUBBER 250D 075L 150B
111338	SPACER, RUBBER 250D 150L 125B
111337	SPACER, RUBBER 250D 150L 150B



## MISC

111397	FLAIL, RUBBER 4PT CLEANING
103878	SHAKER 3PT 75D
103879	ROLLER, CONE 75D



*\*Most rubber molded parts are available in red urethane. Please inquire with sales for details.*







**Noffsingermfg.com**

**Corporate Office**

500 6th Avenue  
P.O. Box 1150  
Greeley, CO 80632  
Phone: 970-352-0463  
Toll Free: 1-800-525-8922  
Fax: 970-352-3017

**North**

71 12th Street S.E.  
Menahga, MN 56464  
Phone: 218-564-5149  
Fax: 218-564-5348

**West**

500 Main Street,  
Drawer A  
Filer, ID 83328  
Phone: 208-326-4306  
Fax: 208-326-4304

**Canada**

P.O. Box 1120  
16 Kent Drive  
Montague, PEI,  
COA 1R0 Canada  
Phone: 902-838-3535  
Fax: 902-838-2474